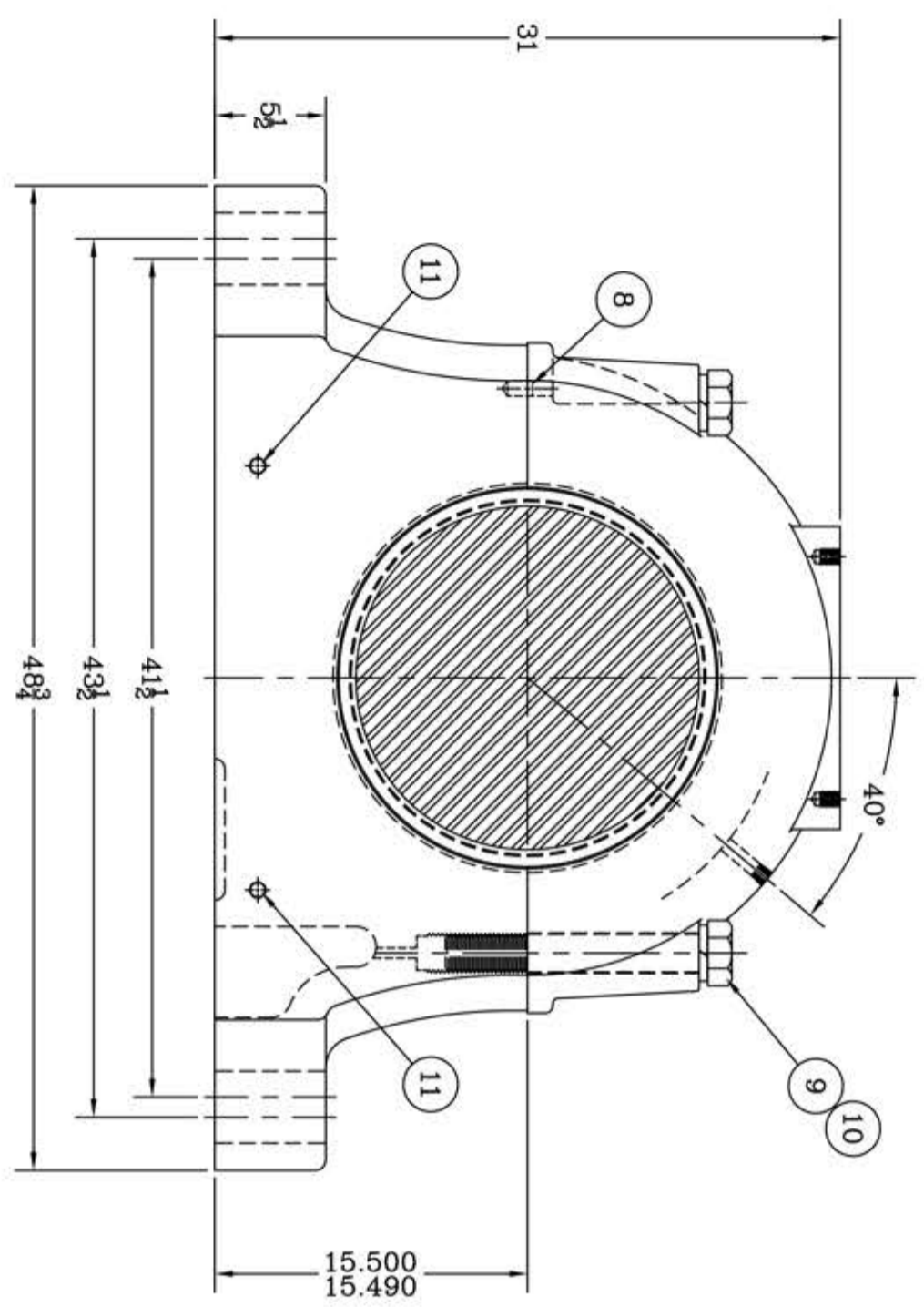
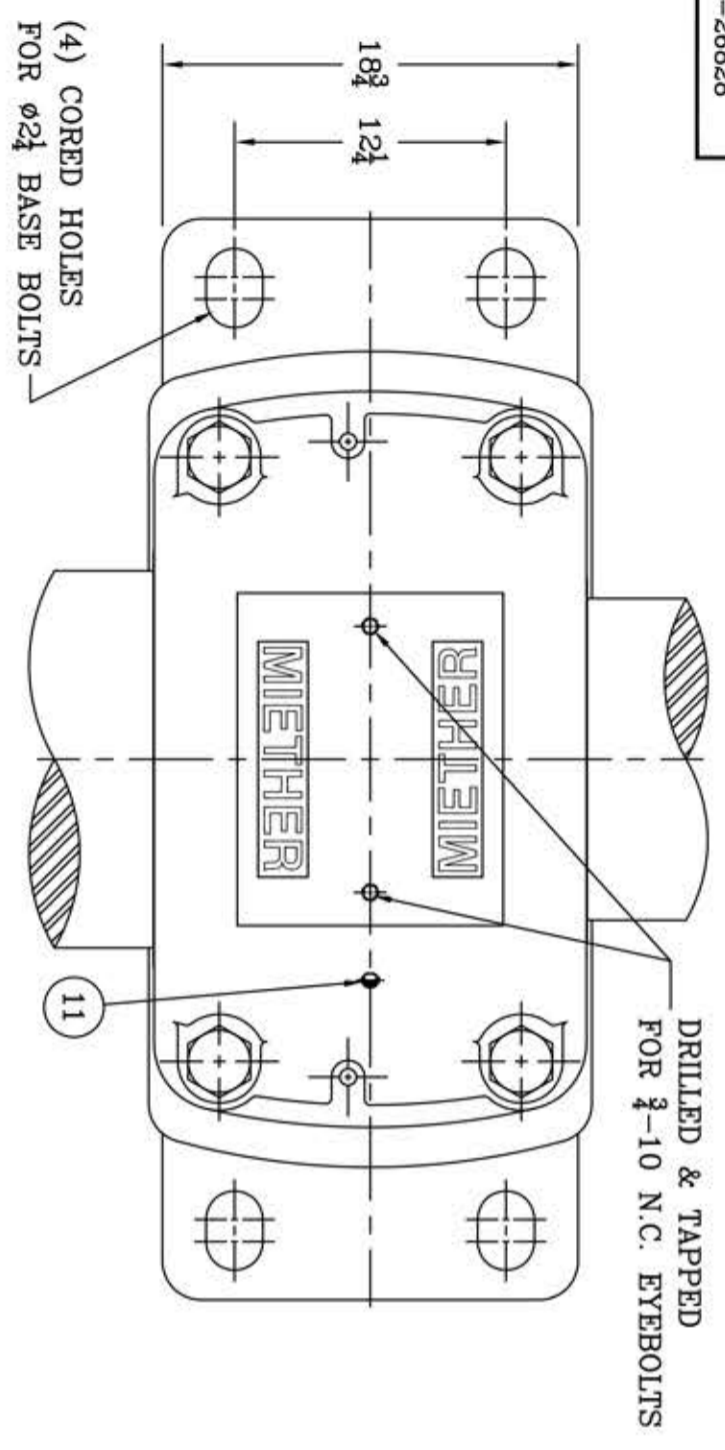
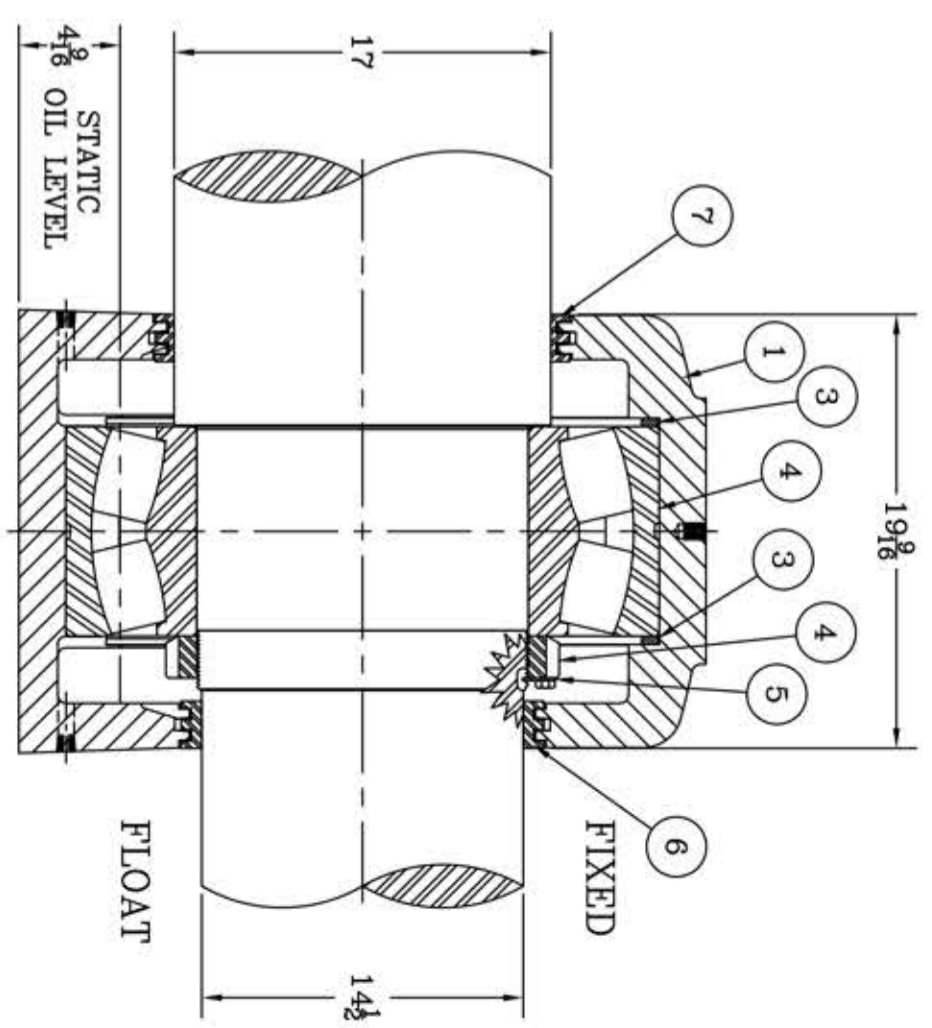


This drawing is the sole property of Miether Bearing Products and contains confidential and proprietary information. It is being provided to you for your use and may not be disclosed to any third party or used for any other purpose without Miether's prior written consent. The [materials] must be returned to the Company upon its demand. Your acceptance of these materials constitutes your acceptance of the foregoing terms.

C-26828



ITEM	DESCRIPTION	DETAIL	REQUIRED
1	HOUSING SDAF 3276 17 x 14 1/2	C-26914	1 1
2	SPHERICAL ROLLER BEARING	23276/W-33	1 1
3	STABILIZING RING	A-8975	2 0
4	LOCKNUT	N-076	1 1
5	LOCKPLATE	P-76	1 1
6	TRIPLE SEAL RING	ER-984	1 1
7	TRIPLE SEAL RING	ER-838	1 1
8	DOWEL	$\phi 2 1/8$ x 1 1/2 LONG	2 2
9	CAP BOLT HEX HEAD	1 1/2-5 NC x 13" LONG	4 4
10	LOCKWASHER	1 1/8 SPLIT MED.	4 4
11	PIPE PLUG	1/2-14 NPT	5 5



REDRAWN FOR CONFORMITY
RWB per KAB
3-7-05

REVISIONS

SYMBOL	DESCRIPTION
C	CONFORMITY
D	DATE
E	ENGINEER
F	FINISHES
G	GEOMETRIC
J	JOURNAL
K	KEY

TOLERANCE: UNLESS OTHERWISE SPECIFIED
FRACTIONS $\pm 1/32$ "
DECIMALS $\pm .005$ "
CASTING $\pm 1/16$ "
WELD $\pm 1/16$ "
ANGLES $\pm .30^\circ$

A.I.S.I. STANDARD FINISHES

AN ALCO INDUSTRIES COMPANY
BEARING PRODUCTS
ODESSA, TX USA

SDAF 23276	17-00 x 14-08
ASSEMBLY DRAWING	
SCALE 1 = 6	ASSEMBLY NO.
DRAWN BAB	DRAWING NO.
DATE 8/28/95	CHK: C-26828