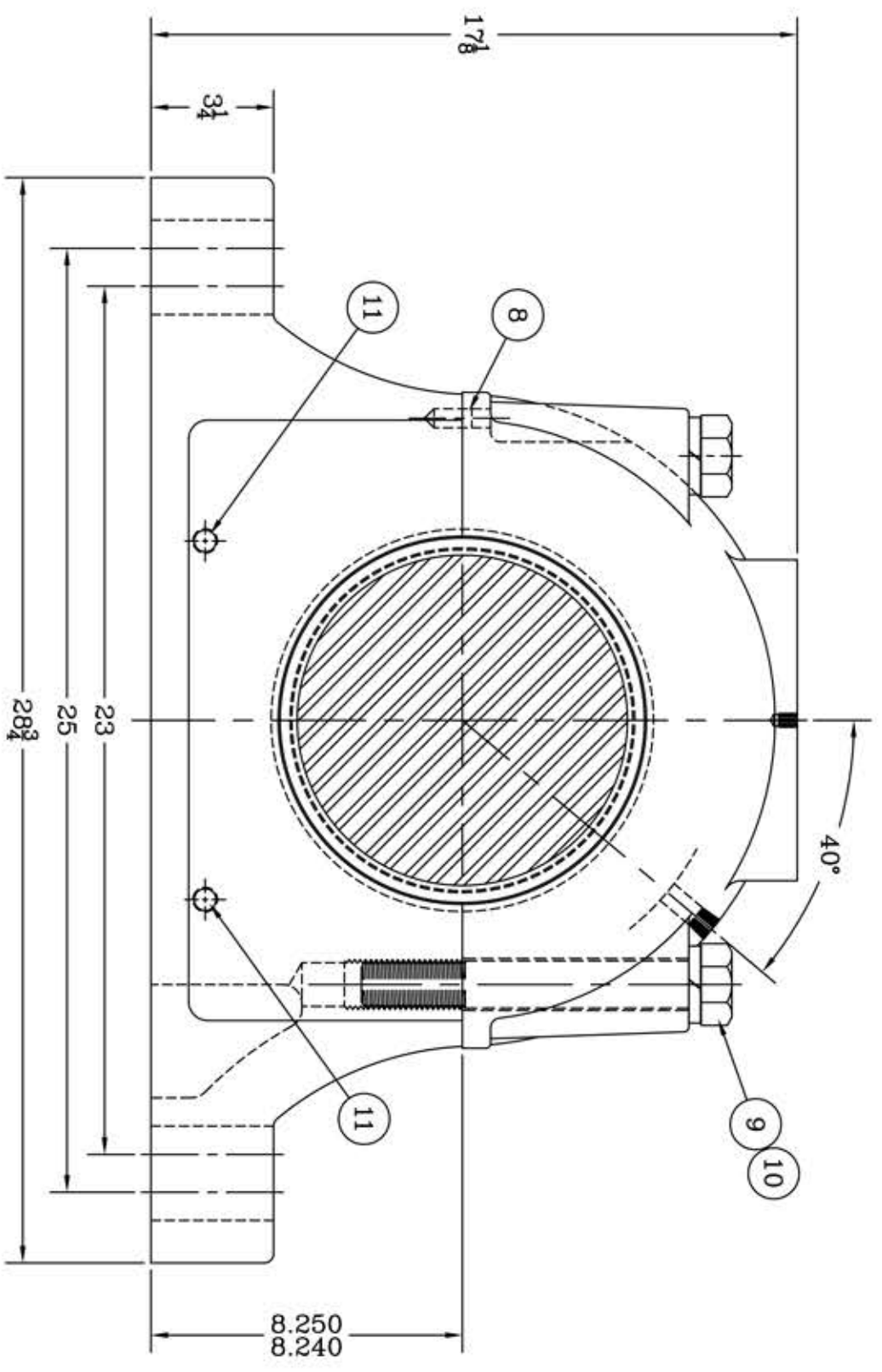
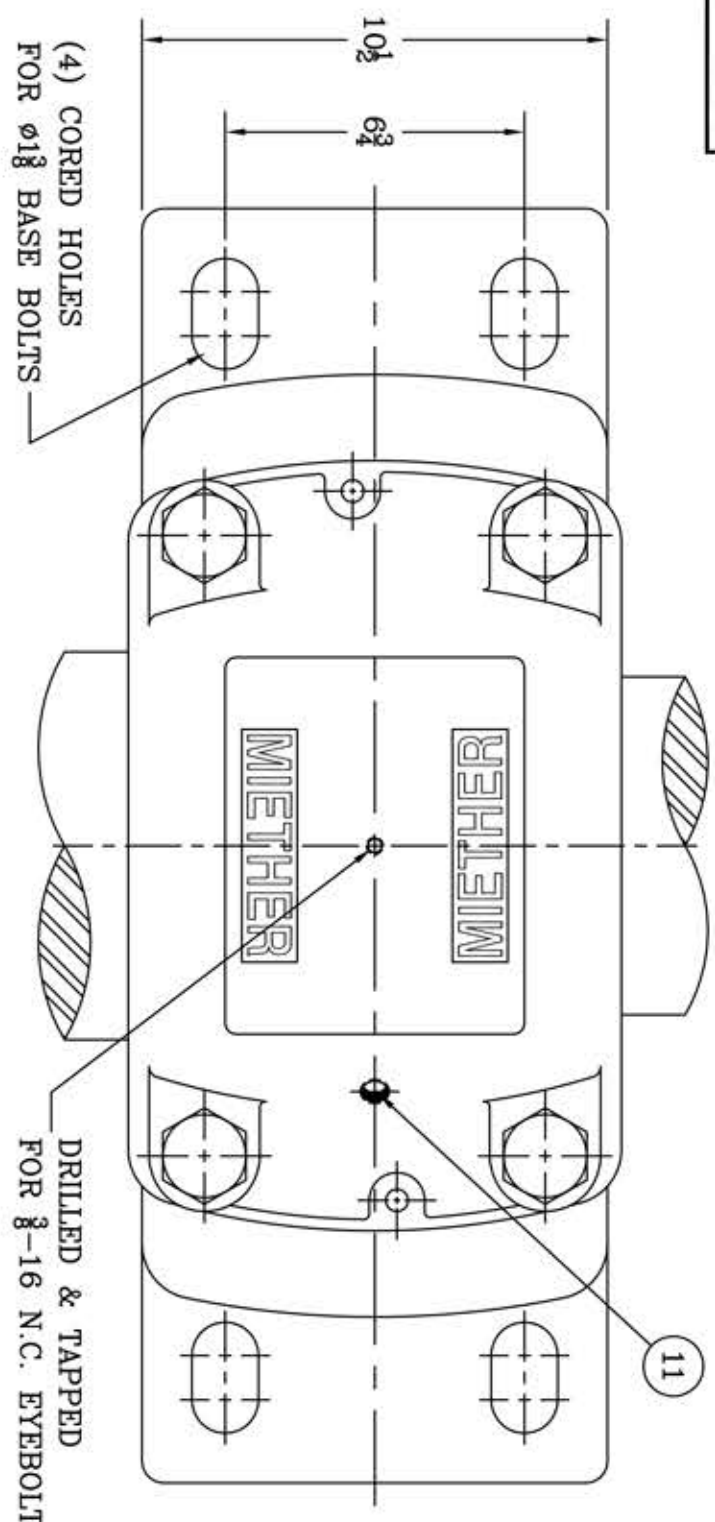
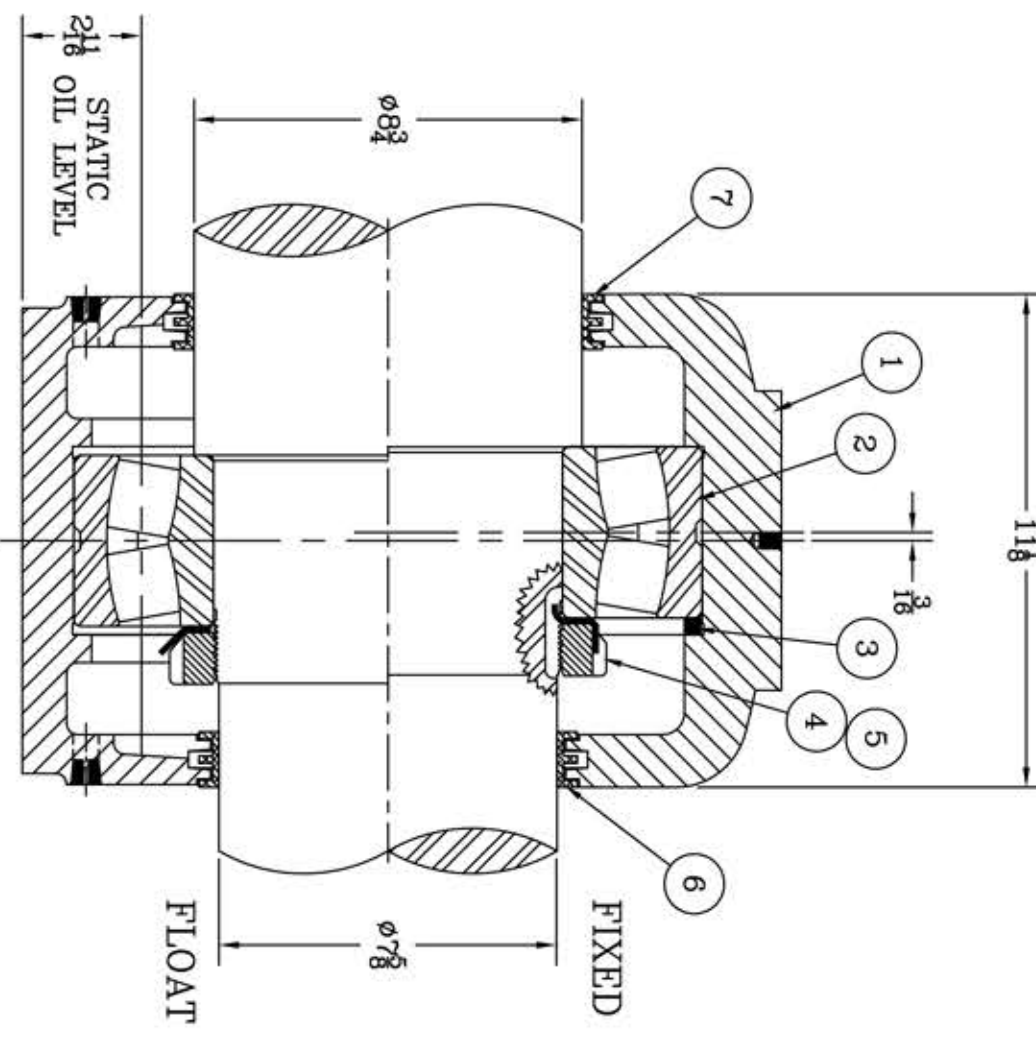


This drawing is the sole property of Miether Bearing Products and contains confidential and proprietary information. It is being provided to you for your use and may not be disclosed to any third party or used for any other purpose without Miether's prior written consent. The [materials] must be returned to the Company upon its demand. Your acceptance of these materials constitutes your acceptance of the foregoing terms.

C-35259




ITEM	DESCRIPTION	DETAIL	REQUIRED
1	HOUSING SDAFD 240	C-	1 1
2	SPHERICAL ROLLER BEARING	22240/W-33	1 1
3	STABILIZING RING SR-40-34	A-10611	1 0
4	LOCKNUT AN-40	B-10424	1 1
5	LOCKWASHER W-40	00	1 1
6	TRIPLE SEAL RING LER-233	A-15430	1 1
7	TRIPLE SEAL RING LER-244	A-15431	1 1
8	DOWEL	1/2 x 1" LONG	2 2
9	CAP BOLT HEX. HEAD GR.5	1 1/2-7 NC x 9" LONG	4 4
10	LOCKWASHER	1 1/4 SPLIT MED.	4 4
11	PIPE PLUG	3/8-18 NPT	5 5



HOUSING MATERIAL - DUCTILE IRON
ASTM A536 GR 65-45-12

REVISIONS	
SYMBOL	DESCRIPTION
16	1
32	2
63	3
125	4
250	5
500	6
1000	7



 AN ALCO INDUSTRIES COMPANY
 ODESSA, TX, USA

TOLERANCE: UNLESS OTHERWISE SPECIFIED
 FRACTIONS $\pm 1/32"$ ANGLES $\pm 0^\circ.30'$
 DECIMALS $\pm .005$ WELD $\pm 1/16"$
 CASTING $\pm 1/16"$

SDAFD 22240 08-12 x 07-10
 ASSEMBLY DRAWING
 SCALE 1 = 3
 DRAWN PCF
 DATE 1/7/13
 CHK: