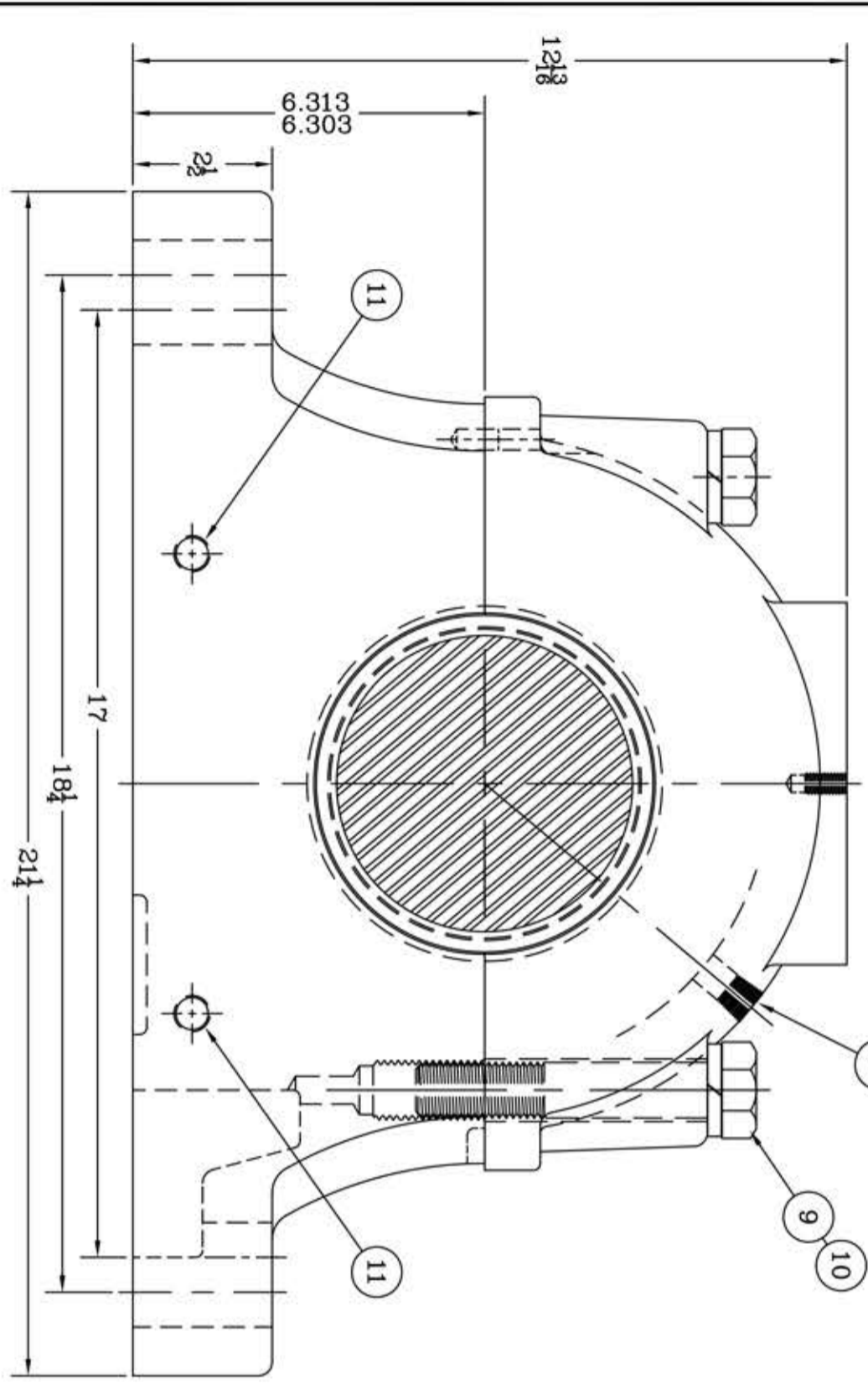
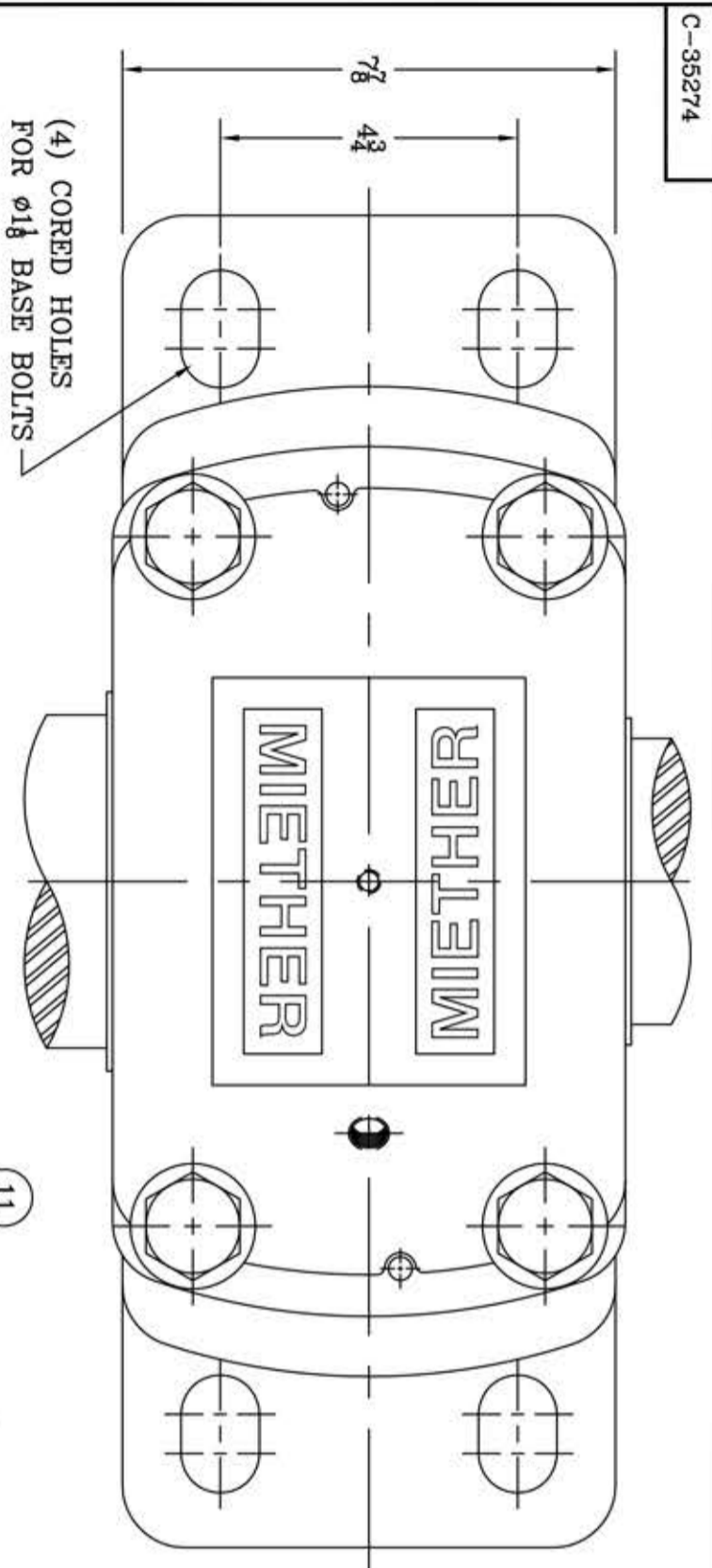
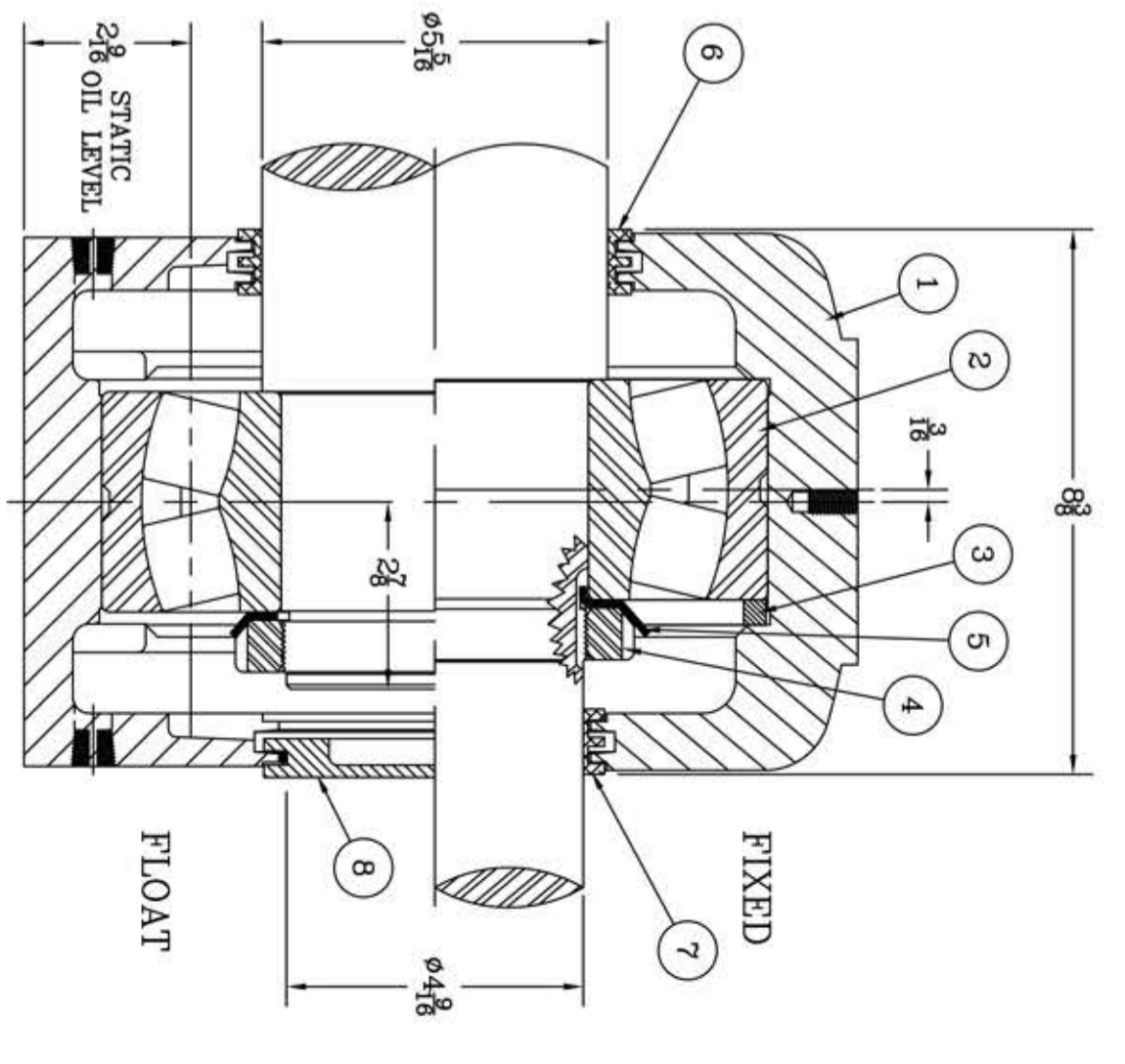


This drawing is the sole property of Miether Bearing Products and contains confidential and proprietary information. It is being provided to you for your use and may not be disclosed to any third party or used for any other purpose without Miether's prior written consent. The [materials] must be returned to the Company upon its demand. Your acceptance of these materials constitutes your acceptance of the foregoing terms.

C-35274



ITEM	DESCRIPTION	DETAIL	QTY
1	HOUSING SDAFD 324	C-	1
2	SPHERICAL ROLLER BRG.	22324/W-33	1
3	STABILIZING RING SR-0-24	A-15124	1
4	LOCKNUT AN-24	B-10416	1
5	LOCKWASHER W-24	~~~~~	1
6	TRIPLE SEAL RING LER 127	A-10626	1
7	TRIPLE SEAL RING LER 119	A-10625	1
8	END PLUG EP-15	A-10697	OPT.
9	CAP BOLT HEX. HEAD GR.5	1-8 NC x 5 1/2 LONG	4
10	CAP BOLT LOCKWASHER	1" SPLIT (MED.)	4
11	PIPE PLUG	3/8-18 NPT	5



HOUSING MATERIAL - DUCTILE IRON
ASTM A536 GR 65-45-12

REVISIONS

SYMBOL	DESCRIPTION
C	...
D	...
E	...
F	...
G	...
J	...
K	...

TOLERANCE: UNLESS OTHERWISE SPECIFIED
 FRACTIONS $\pm 1/32"$ ANGLES $\pm 0^\circ 30'$
 DECIMALS $\pm .005"$ WELD $\pm 1/16"$
 CASTING $\pm 1/16"$

A.I.S.I. STANDARD FINISHES

MICRO-INCH VALUE	FINISH
16	C
32	D
63	E
125	F
250	G
500	J
1000	K

AN ALCO INDUSTRIES COMPANY
BEARING PRODUCTS
ODESSA, TX USA

SDAFD 22324 05-05 x 04-09
ASSEMBLY DRAWING

SCALE	HALF	ASSEMBLY NO.
DRAWN	PCF	
DATE	1/8/13	DRAWING NO.
CHK:		C-35274