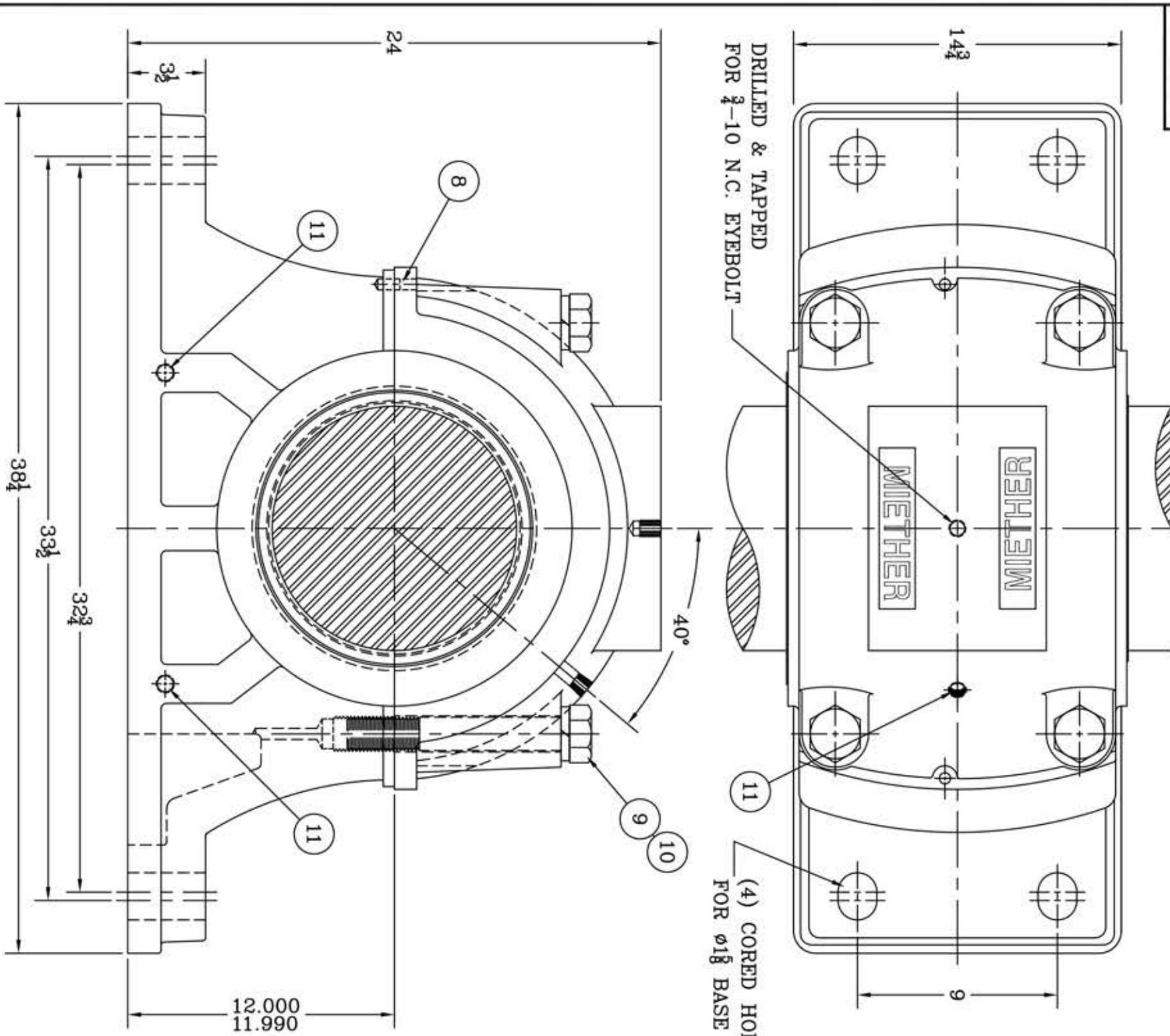
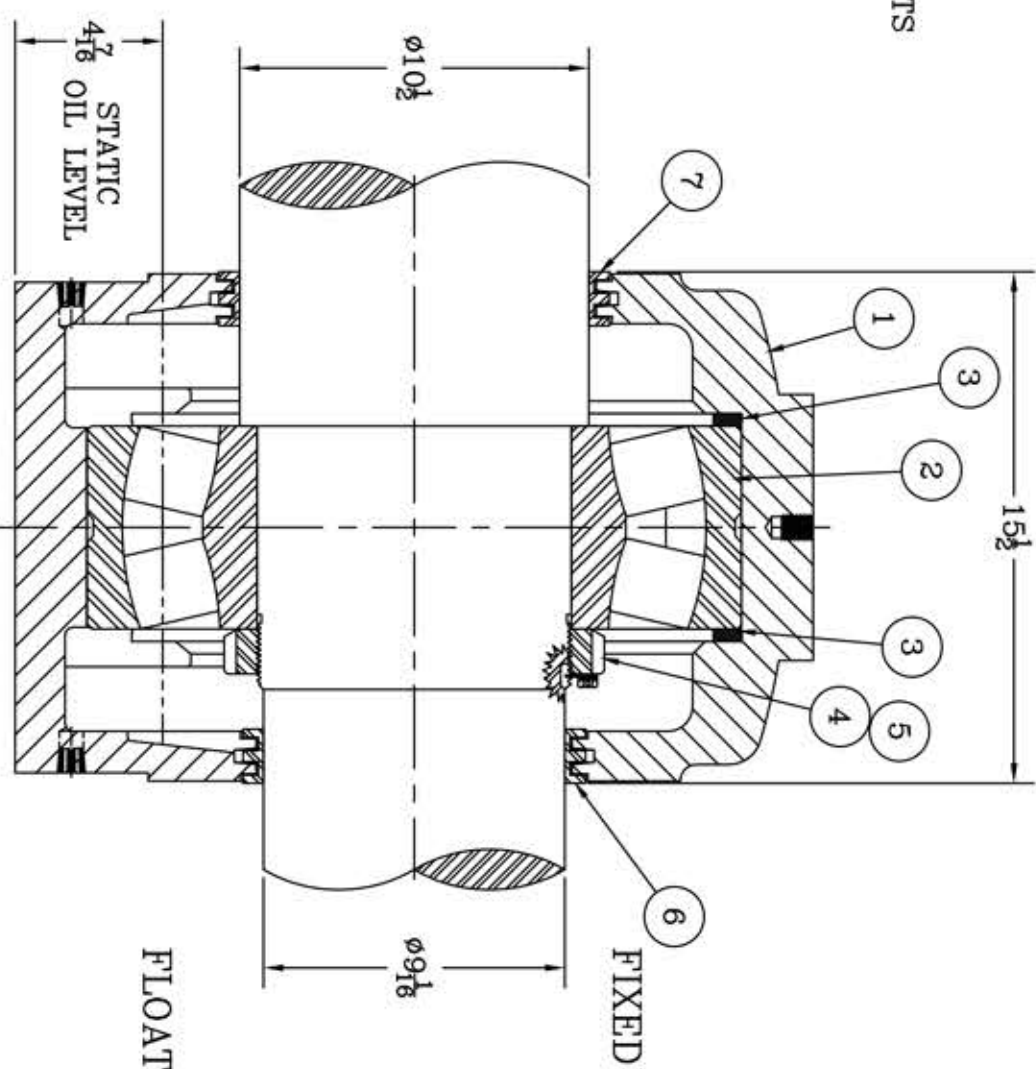


This drawing is the sole property of Miether Bearing Products and contains confidential and proprietary information. It is being provided to you for your use and may not be disclosed to any third party or used for any other purpose without Miether's prior written consent. The [materials] must be returned to the Company upon its demand. Your acceptance of these materials constitutes your acceptance of the foregoing terms.

C-32952



ITEM	DESCRIPTION	DETAIL	REQUIRED
1	HOUSING SDAFD 348 10-08 x 09-01	C-26358	1 1
2	SPHERICAL ROLLER BEARING	22348/W33	1 1
3	STABILIZING RING A8975	A-12809	2 0
4	LOCK NUT N-048	B-10177	1 1
5	LOCK PLATE P-48	B-10178	1 1
6	TRIPLE SEAL RING ER-841	A-15706	1 1
7	TRIPLE SEAL RING ER-840	A-15705	1 1
8	DOWEL	Ø 1/2 x 1" LONG	2 2
9	CAP BOLT HEX HEAD GR. 5	1 1/2-6 NC x 10" LONG	4 4
10	LOCKWASHER	1 1/2 SPLIT MED.	4 4
11	PIPE PLUG	1/2-14 NPPT	5 5



HOUSING MATERIAL - DUCTILE IRON
ASTM A536 GR 65-45-12

REVISIONS

SYMBOL	DESCRIPTION
✓	ASSEMBLY DRAWING

TOLERANCE: UNLESS OTHERWISE SPECIFIED
FRACTIONS ± 1/32" ANGLES ± 0° 30'
DECIMALS ± .005" WELD ± 1/16"
CASTING ± 1/16"

A.I.S.I. STANDARD FINISHES

MICRO-INCH VALUE	FINISH SYMBOL
16	✓
32	✓
63	✓
125	✓
250	✓
500	✓
1000	✓

AN ALCO INDUSTRIES COMPANY
BEARING PRODUCTS
ODESSA, TX. USA

SDAFD 22348 K 10-08 x09-01
ASSEMBLY DRAWING

SCALE 1 = 4
DRAWN KAB
DATE 1/18/07
CHK:

ASSEMBLY NO.
DRAWING NO. C-32952