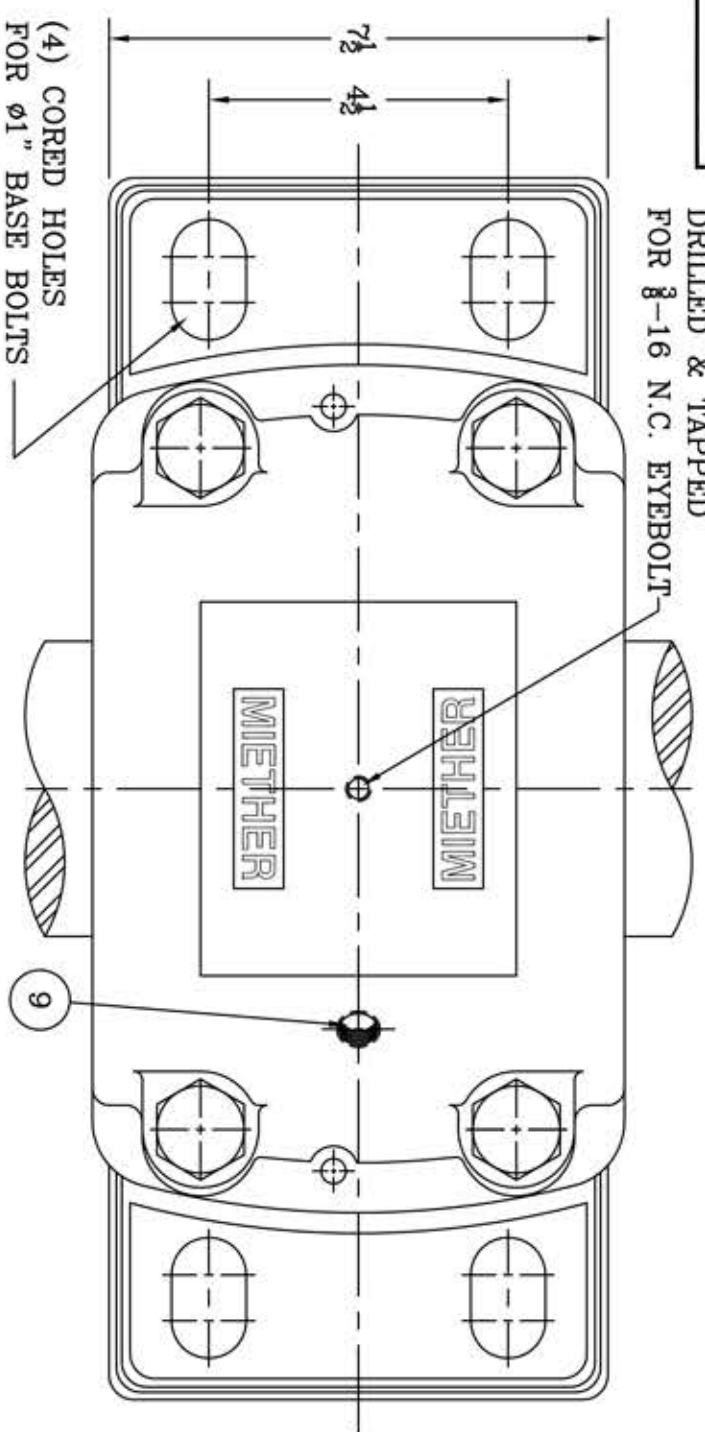


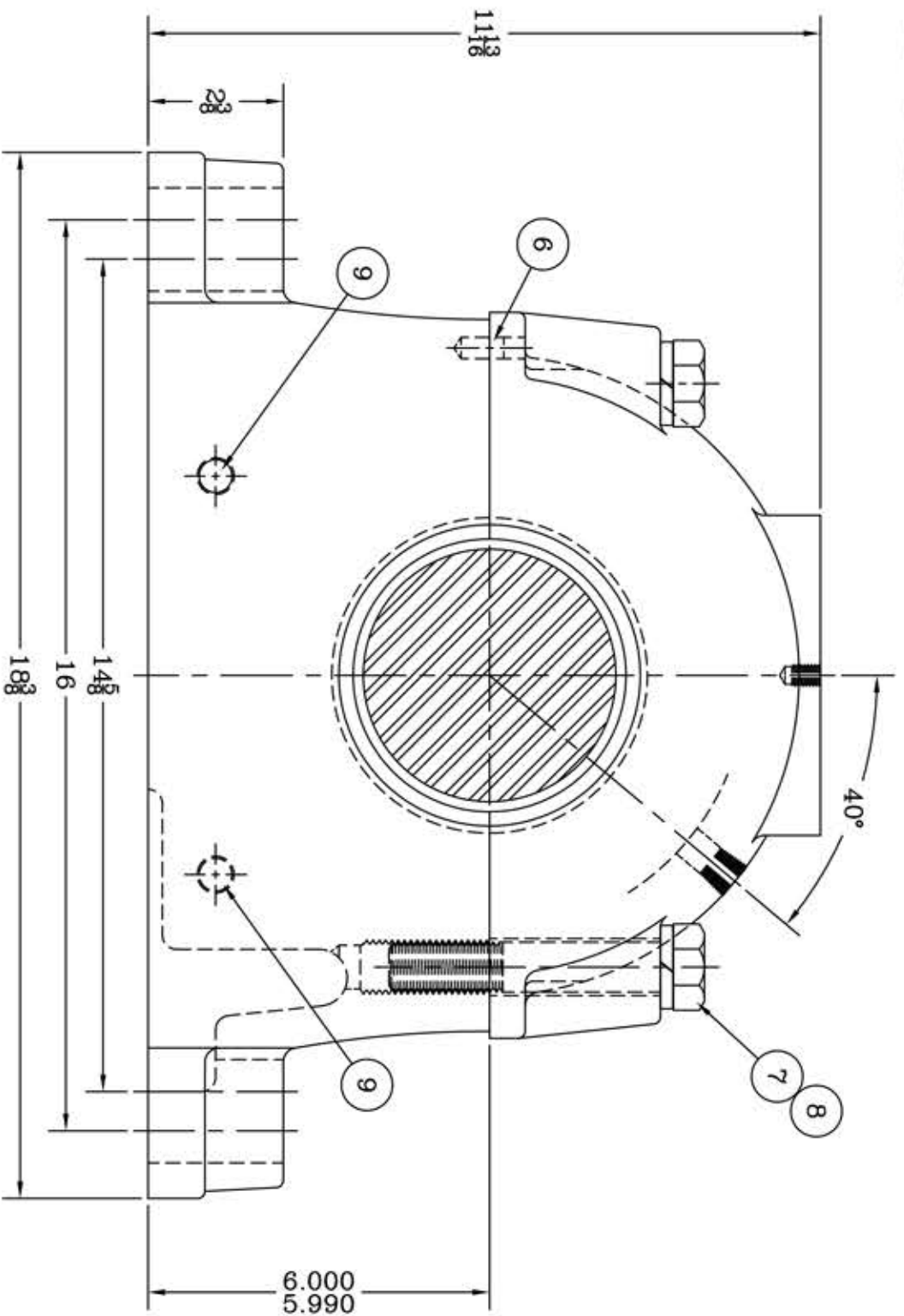
This drawing is the sole property of Miether Bearing Products and contains confidential and proprietary information. It is being provided to you for your use and may not be disclosed to any third party or used for any other purpose without Miether's prior written consent. The [materials] must be returned to the Company upon its demand. Your acceptance of these materials constitutes your acceptance of the foregoing terms.

C-35263

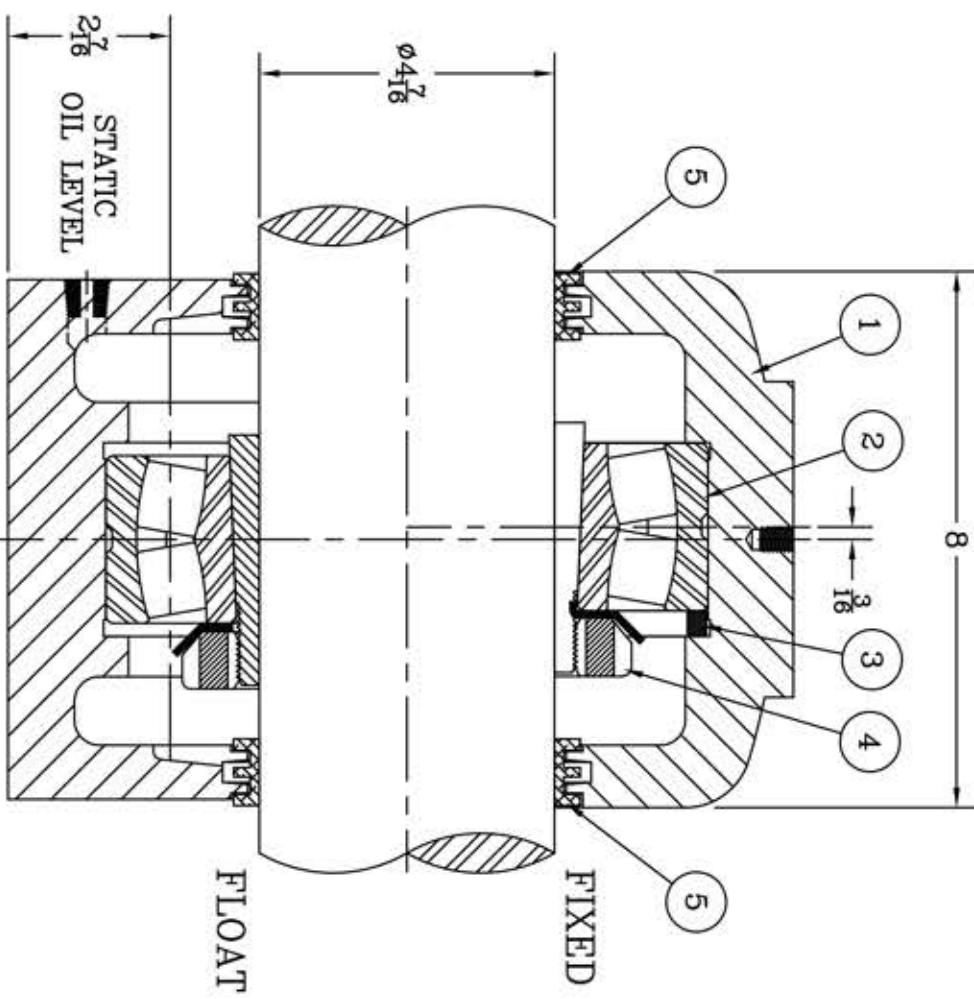
DRILLED & TAPPED
FOR 3/16 N.C. EYEBOLT



(4) CORED HOLES
FOR Ø1" BASE BOLTS



ITEM	DESCRIPTION	DETAIL	REQUIRED
1	HOUSING SDAFD 526	C-	1 1
2	SPHERICAL ROLLER BEARING	22226K/W-33	1 1
3	STABILIZING RING SR-26-0	A-10605	1 0
4	ADAPTER SNW-26 04-07	24429	1 1
5	TRIPLE SEAL RING LER-117	A-10497	2 2
6	DOWEL	Ø8 x 3/4 LONG	2 2
7	CAP BOLT HEX. HEAD GR.5	7-10 NC x 5" LONG	4 4
8	LOCKWASHER	7/8 SPLIT MED.	4 4
9	PIPE PLUG	3/8-18 NPT	3 3



HOUSING MATERIAL - DUCTILE IRON
ASTM A536 GR 65-45-12

REVISIONS

SYMBOL	DESCRIPTION	MICRO-INCH VALUE
C	...	16
D	...	32
E	...	63
F	...	125
G	...	250
J	...	500
K	...	1000

AN ALCO INDUSTRIES COMPANY
ODESSA, TX. USA

SDAFD 22526 04-07
ASSEMBLY DRAWING

SCALE HALF
DRAWN PCF
DATE 1/7/13
CHK.

ASSEMBLY NO.
DRAWING NO.
C-35263