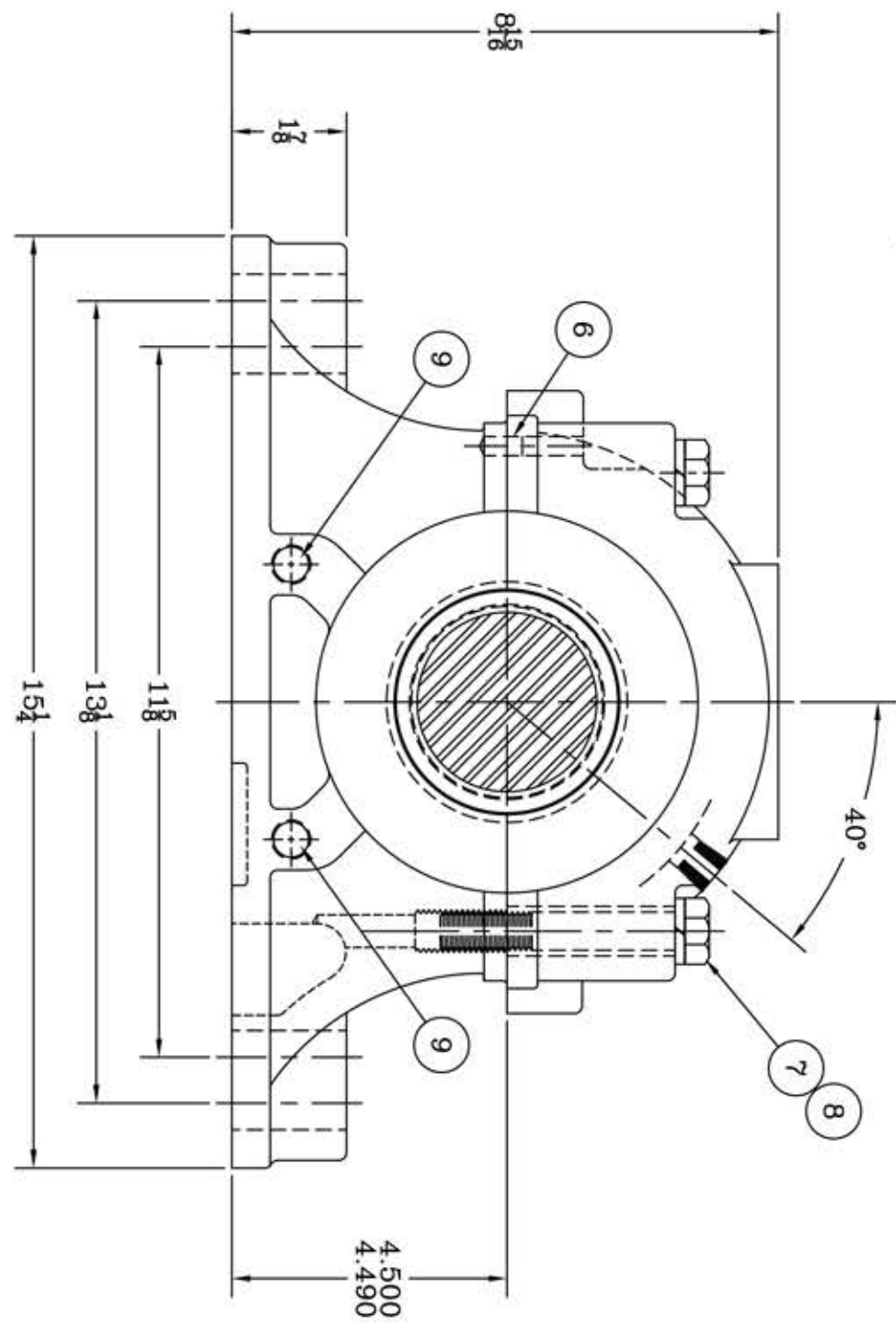
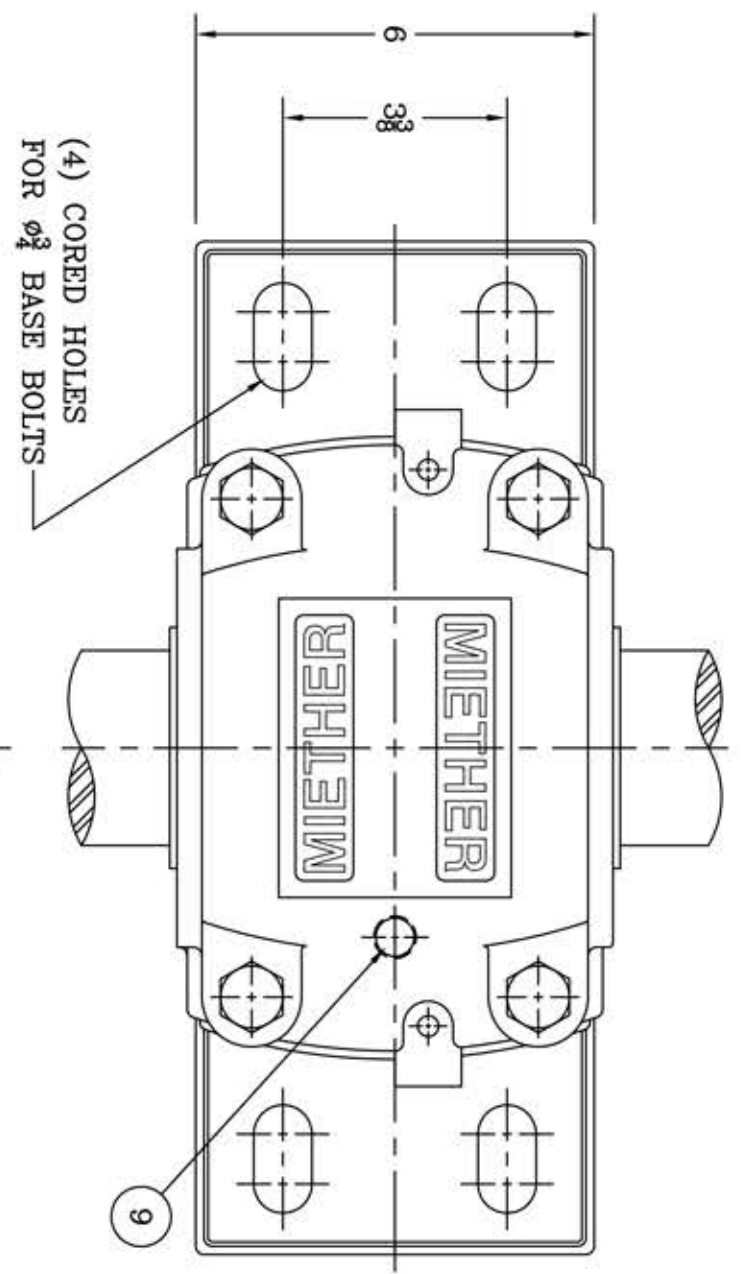
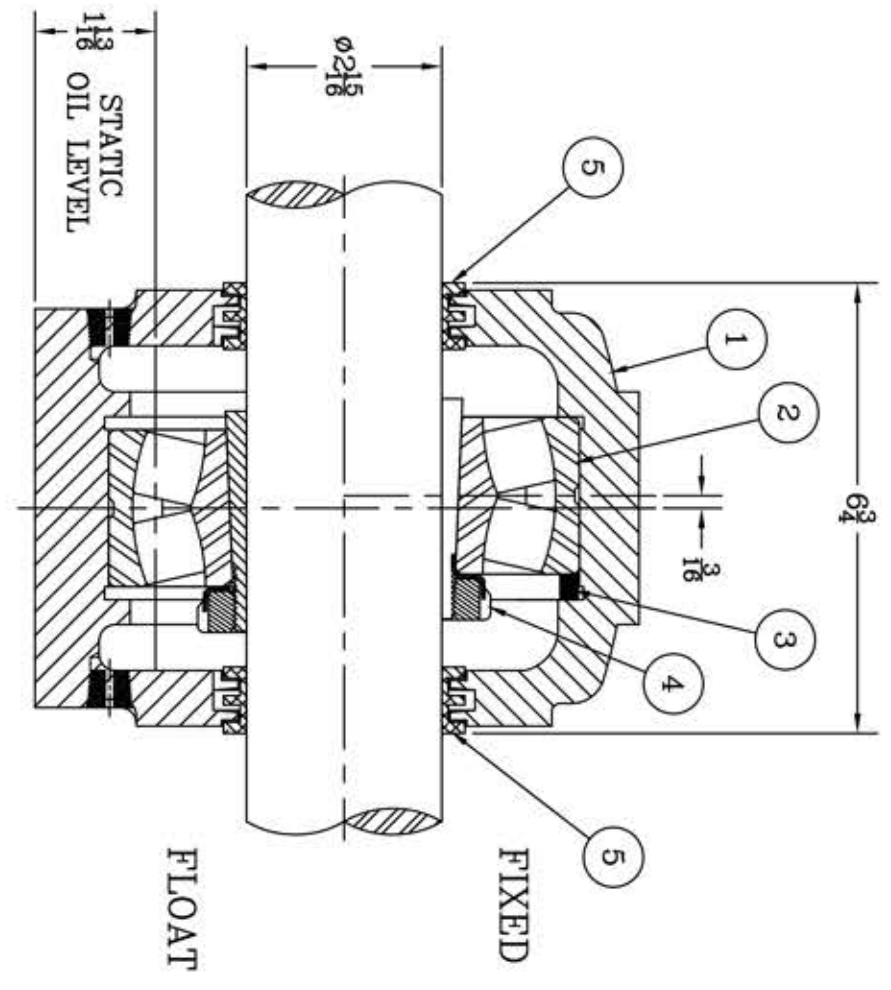


This drawing is the sole property of Miether Bearing Products and contains confidential and proprietary information. It is being provided to you for your use and may not be disclosed to any third party or used for any other purpose without Miether's prior written consent. The [materials] must be returned to the Company upon its demand. Your acceptance of these materials constitutes your acceptance of the foregoing terms.

C-35283



ITEM	DESCRIPTION	DETAIL	REQUIRED
1	HOUSING SDAFD 617 02-15	C-	1 1
2	SPHERICAL ROLLER BEARING	22317K/-33	1 1
3	STABILIZING RING SR-20-17	A-10602	1 0
4	ADAPTER SNW-17 02-15	24410	1 1
5	TRIPLE SEAL RING LER-184	A-11924	2 2
6	DOWEL	$\phi 5/8$ x $3/8$ LONG	2 2
7	CAP BOLT HEX. HEAD GR.5	$3/8$ -11 NC x 4" LONG	4 4
8	LOCKWASHER	$3/8$ SPLIT MED.	4 4
9	PIPE PLUG	$3/8$ -18-NPT	5 5



HOUSING MATERIAL - DUCTILE IRON  
ASTM A536 GR 65-45-12

REVISIONS	
SYMBOL	DESCRIPTION
✓	16
✓	32
✓	63
✓	125
✓	250
✓	500
✓	1000

TOLERANCE: UNLESS OTHERWISE SPECIFIED  
FRACTIONS  $\pm 1/32$ " ANGLES  $\pm 0^\circ 30'$   
DECIMALS  $\pm .005$  WELD  $\pm 1/16$ "  
CASTING  $\pm 1/16$ "  
A.I.S.I. STANDARD FINISHES

SCALE HALF	ASSEMBLY NO.
DRAWN PCF	DRAWING NO.
DATE 1/9/13	C-35283
CHK:	

AN ALCO INDUSTRIES COMPANY  
BEARING PRODUCTS  
ODESSA, TX. USA

SDAFD 22617 02-15  
ASSEMBLY DRAWING