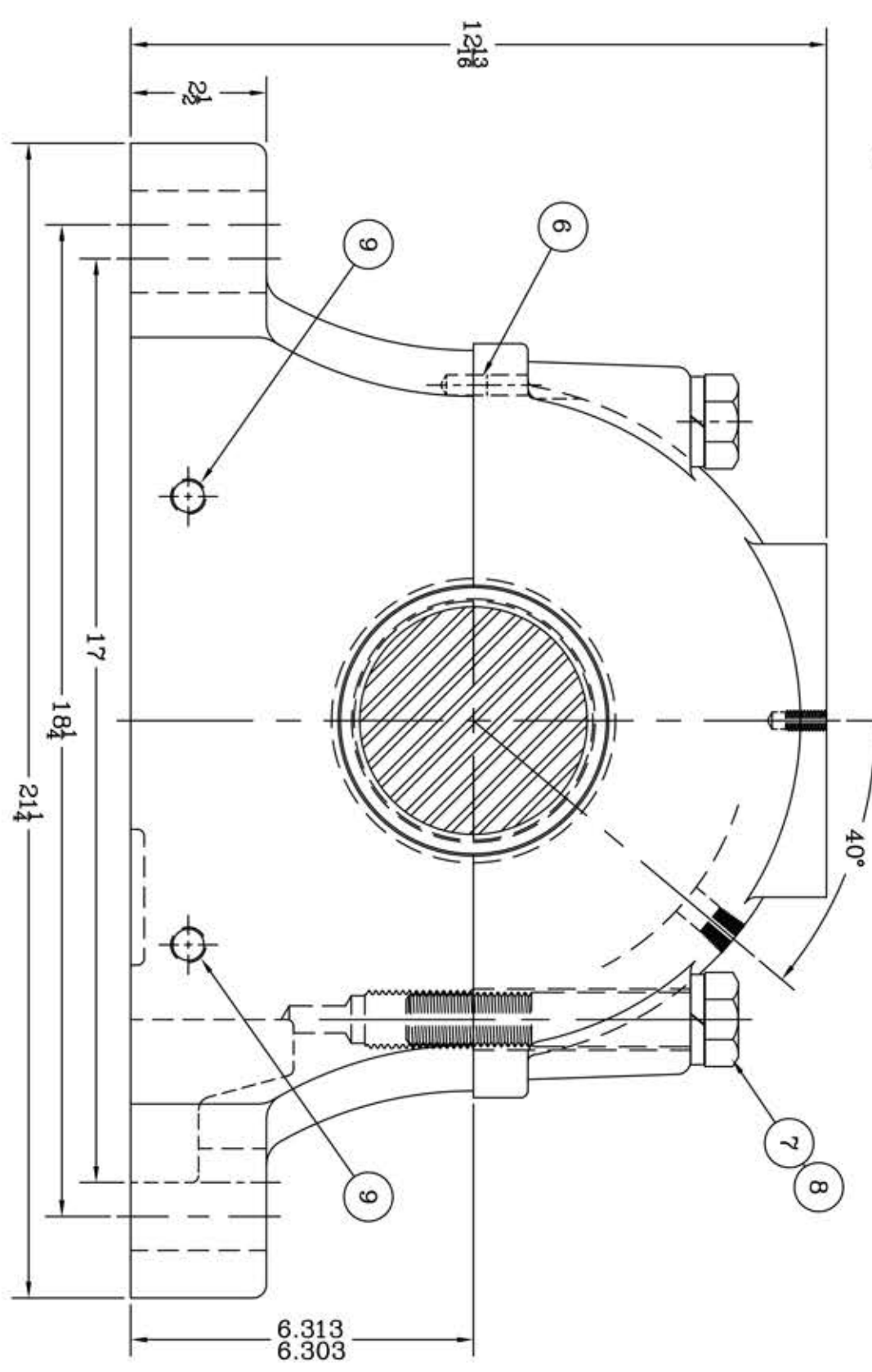
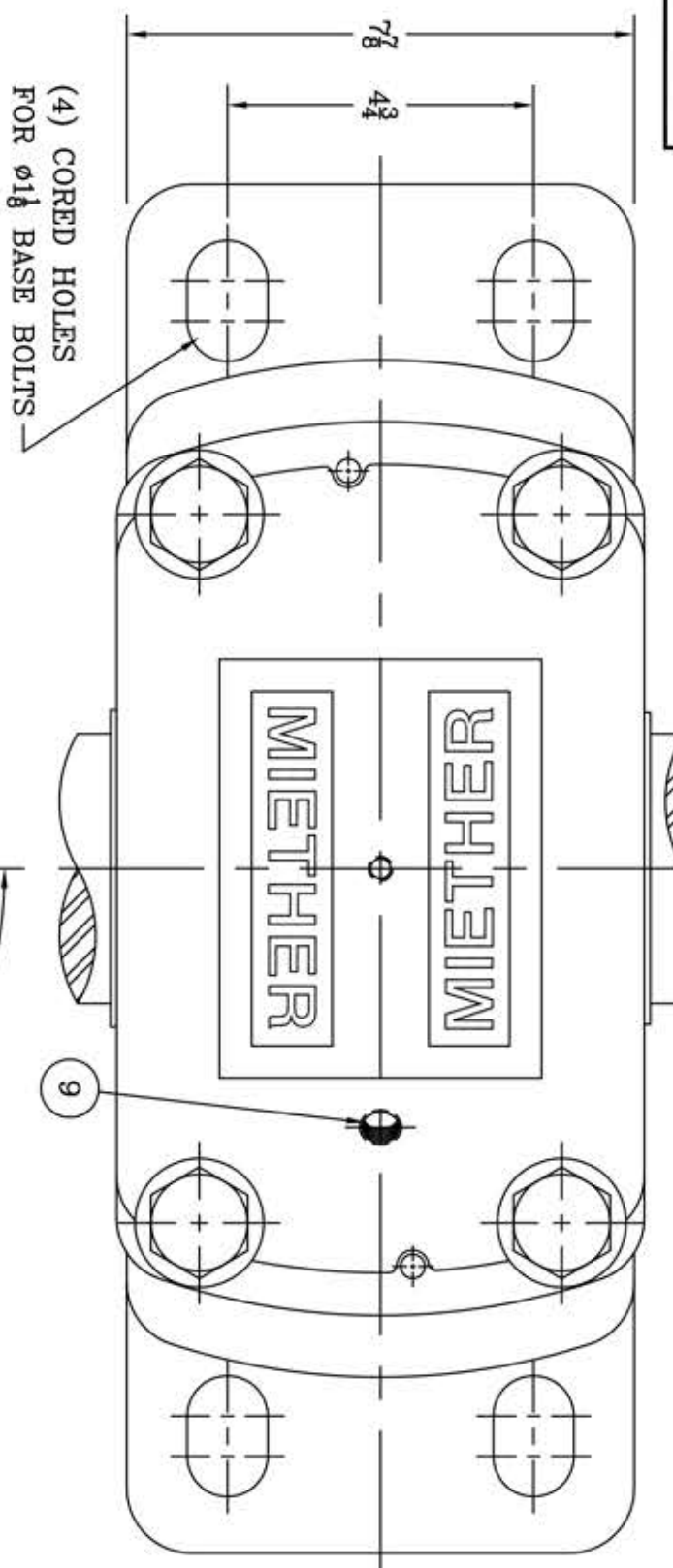
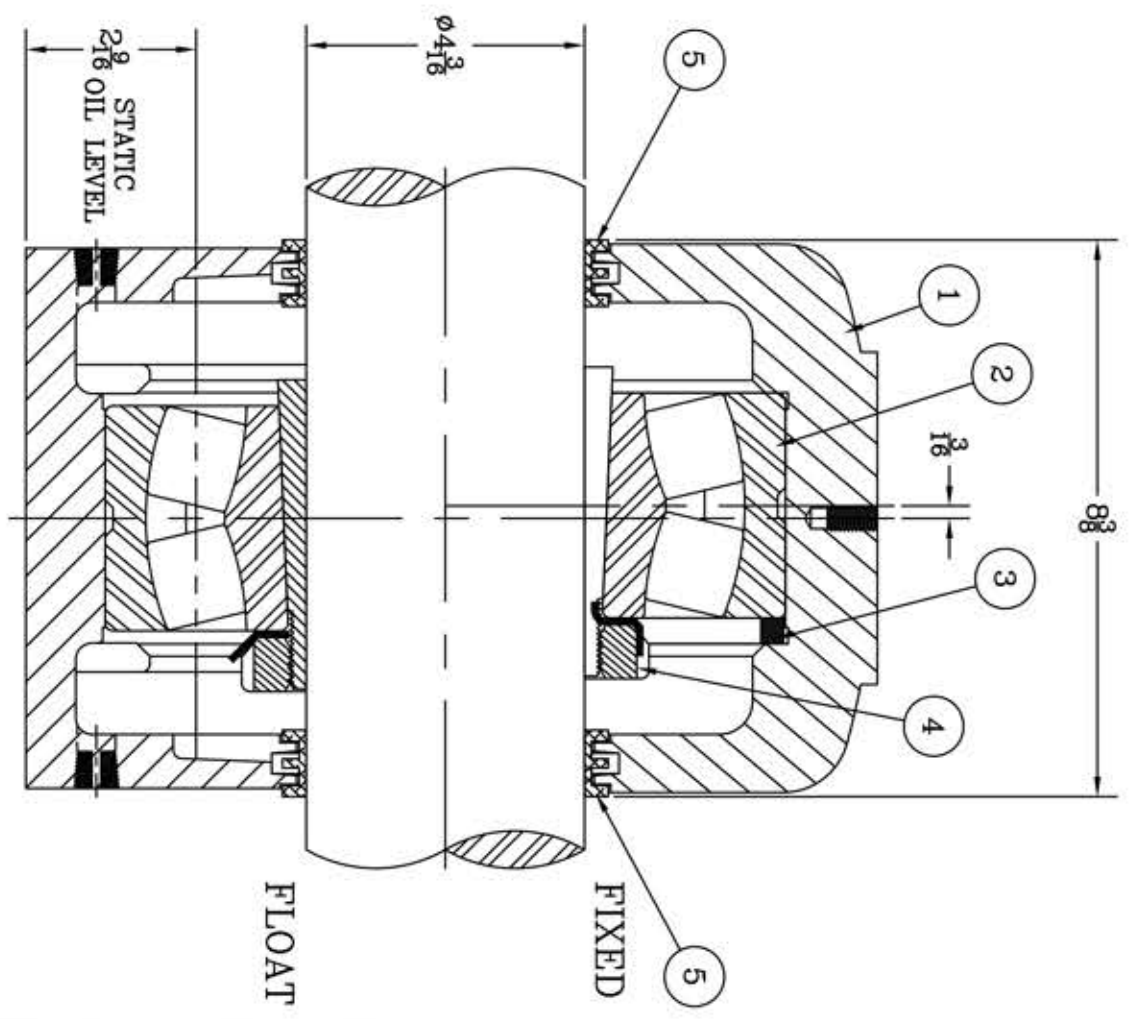


This drawing is the sole property of Miether Bearing Products and contains confidential and proprietary information. It is being provided to you for your use and may not be disclosed to any third party or used for any other purpose without Miether's prior written consent. The [materials] must be returned to the Company upon its demand. Your acceptance of these materials constitutes your acceptance of the foregoing terms.

C-35285



ITEM	DESCRIPTION	DETAIL	REQUIRED
			FWD. FLT.
1	HOUSING SDAFD 624	C-	1 1
2	SPHERICAL ROLLER BEARING 22324K/W-33		1 1
3	STABILIZING RING SR-0-24	A-15124	1 0
4	ADAPTER SNW-24	24426	1 1
5	TRIPLE SEAL RING LER-113	A-10579	2 2
6	DOWEL Ø 8/8 x 3/4 LONG		2 2
7	CAP BOLT HEX. HEAD GR.5 1-8 NC x 5 1/2 LONG		4 4
8	LOCKWASHER 1" SPLIT MED.		4 4
9	PIPE PLUG 3/8-18 NPT		5 5



HOUSING MATERIAL - DUCTILE IRON
ASTM A536 GR 65-45-12

REVISIONS

TOLERANCE: UNLESS OTHERWISE SPECIFIED
 FRACTIONS $\pm 1/32"$ ANGLES $\pm 0^\circ 30'$
 DECIMALS $\pm .005"$ WELD $\pm 1/16"$
 CASTING $\pm 1/16"$

A.I.S.I. STANDARD FINISHES

SYMBOL	FINISH
✓	C
∇	D
∇	E
∇	F
∇	G
∇	J
∇	K

MICRO-INCH VALUE	16	32	63	125	250	500	1000
------------------	----	----	----	-----	-----	-----	------

AN ALCO INDUSTRIES COMPANY
BEARING PRODUCTS
ODESSA, TX. USA

SDAFD 22624 04-03
ASSEMBLY DRAWING

SCALE HALF
DRAWN PCF
DATE 1/9/13
CHK:

ASSEMBLY NO.
DRAWING NO. C-35285