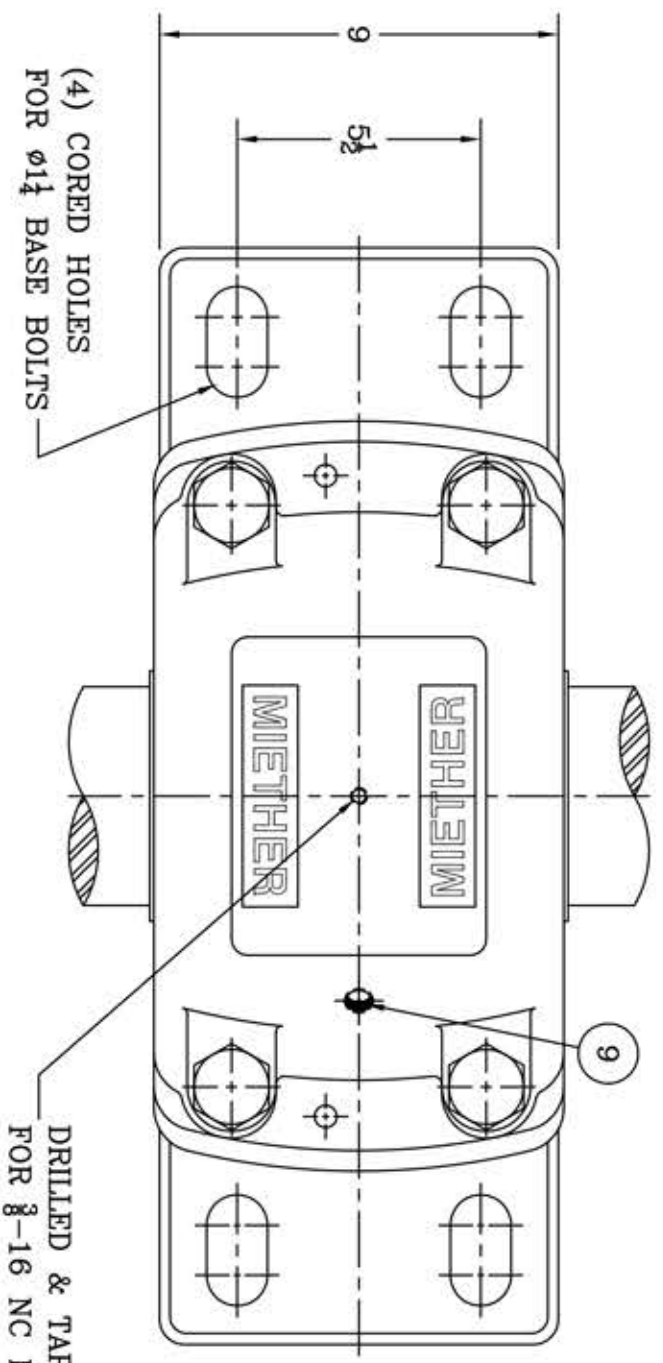


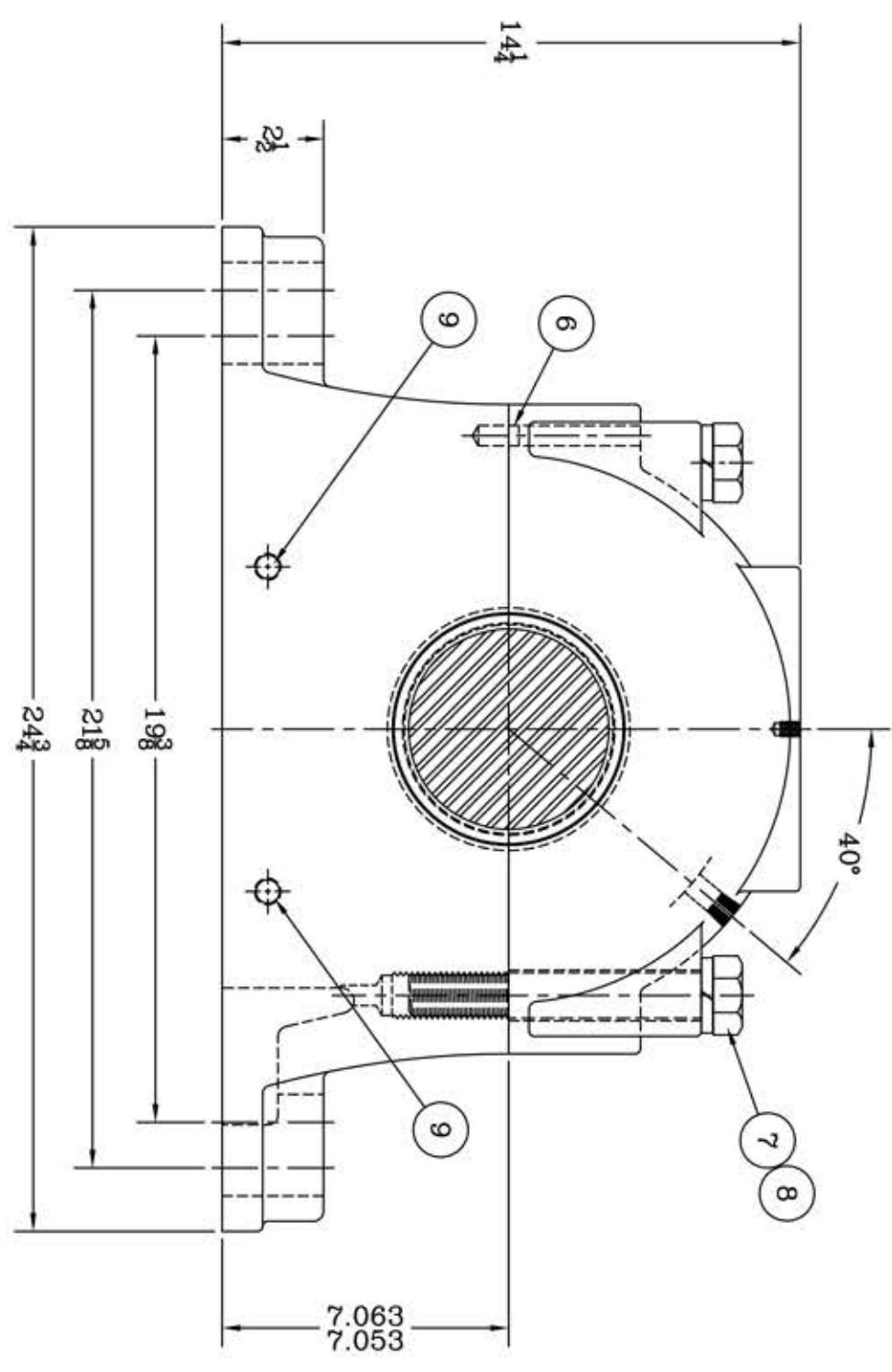
This drawing is the sole property of Miether Bearing Products and contains confidential and proprietary information. It is being provided to you for your use and may not be disclosed to any third party or used for any other purpose without Miether's prior written consent. The [materials] must be returned to the Company upon its demand. Your acceptance of these materials constitutes your acceptance of the foregoing terms.

C-35287

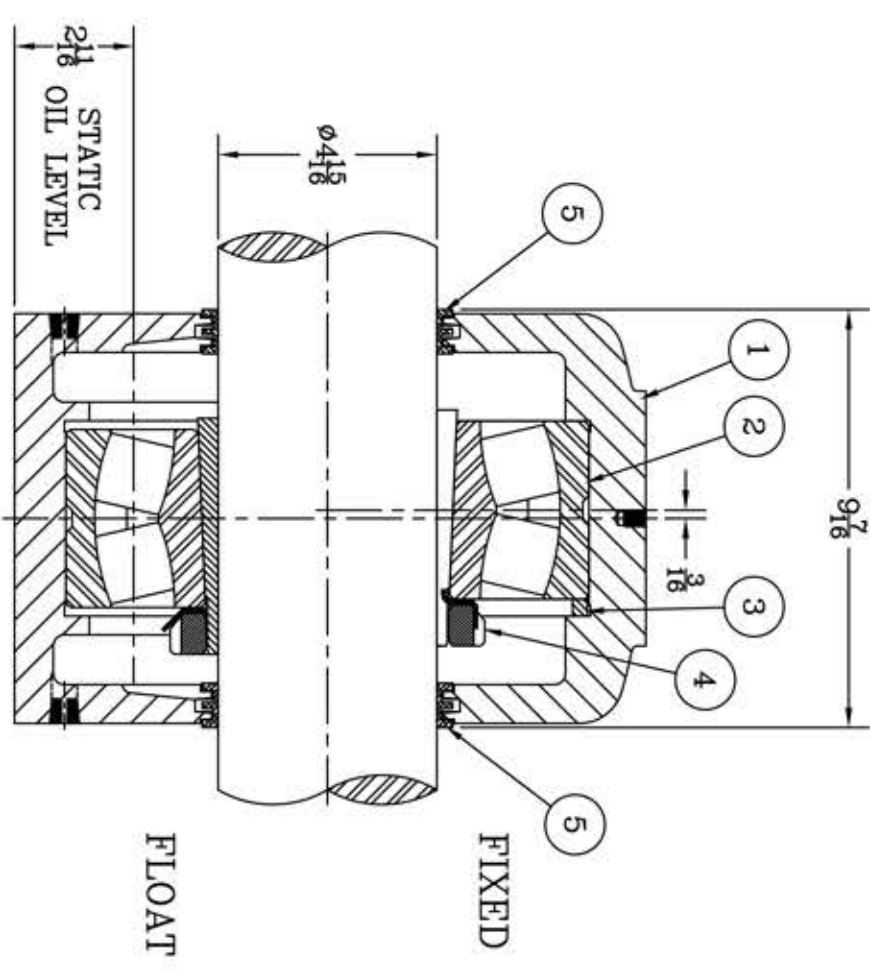


(4) CORED HOLES FOR Ø1 1/4 BASE BOLTS

DRILLED & TAPPED FOR 3/16 NC EYEBOLT



| ITEM | DESCRIPTION | DETAIL | REQUIRED |
|------|--------------------------|-------------------------|----------|
| 1 | HOUSING SDAFD 628 | C- | 1 1 |
| 2 | SPHERICAL ROLLER BEARING | 22328K/W-33 | 1 1 |
| 3 | STABILIZING RING SR-0-28 | A-10669 | 1 0 |
| 4 | ADAPTER SNW-128 04-15 | | 1 1 |
| 5 | TRIPLE SEAL RING LER-122 | A-10499 | 2 2 |
| 6 | DOWEL | Ø 1/2 x 1" LONG | 2 2 |
| 7 | CAP BOLT HEX. HEAD GR.5 | 1 1/8-7 NC x 7 1/2 LONG | 4 4 |
| 8 | LOCKWASHER | 1 1/8 SPLIT MED. | 4 4 |
| 9 | PIPE PLUG | 3/8-18 NPT | 5 5 |



FLOAT

FIXED

2 1/8 STATIC OIL LEVEL

HOUSING MATERIAL - DUCTILE IRON
ASTM A536 GR 65-45-12

| REVISIONS | |
|-----------|-------------|
| SYMBOL | DESCRIPTION |
| ✓ | 16 |
| ∇ | 32 |
| ∇ | 63 |
| ∇ | 125 |
| ∇ | 250 |
| ∇ | 500 |
| ∇ | 1000 |



 AN ALCO INDUSTRIES COMPANY
 BEARING PRODUCTS
 ODESSA, TX. USA

SDAFD 22628 04-15
 ASSEMBLY DRAWING
 SCALE 1 = 3
 DRAWN PCF
 DATE 1/9/13
 CHECK:

ASSEMBLY NO.
 DRAWING NO. C-35287