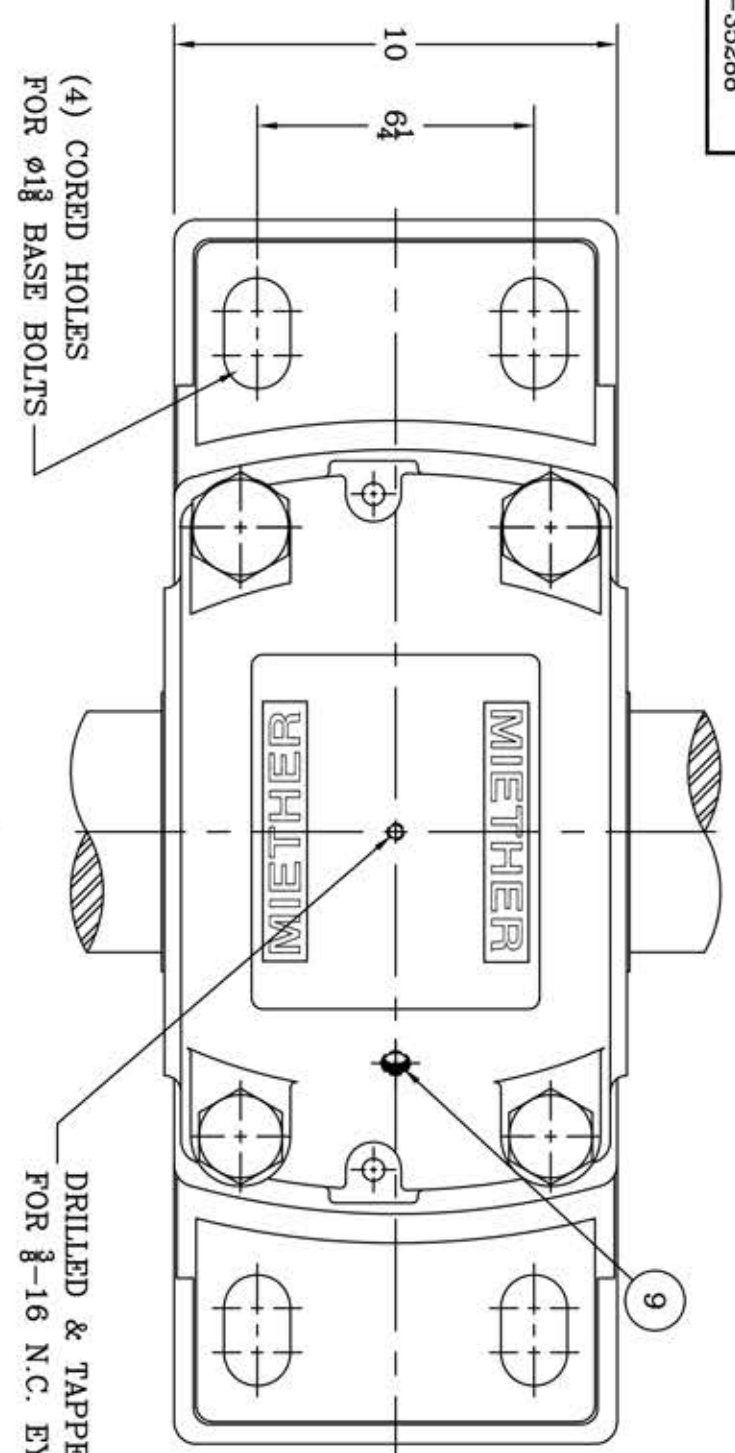


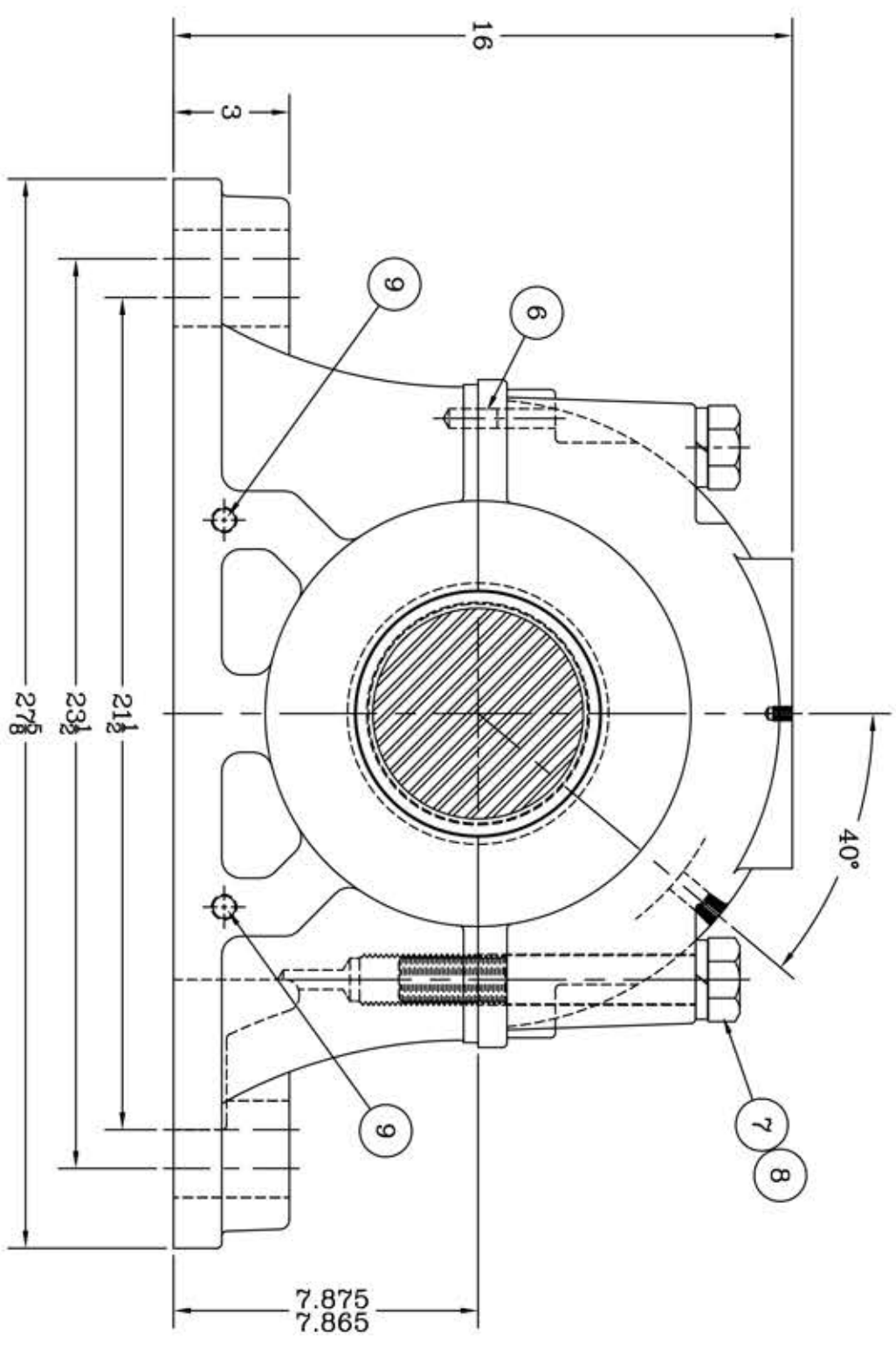
This drawing is the sole property of Miether Bearing Products and contains confidential and proprietary information. It is being provided to you for your use and may not be disclosed to any third party or used for any other purpose without Miether's prior written consent. The [materials] must be returned to the Company upon its demand. Your acceptance of these materials constitutes your acceptance of the foregoing terms.

C-35288

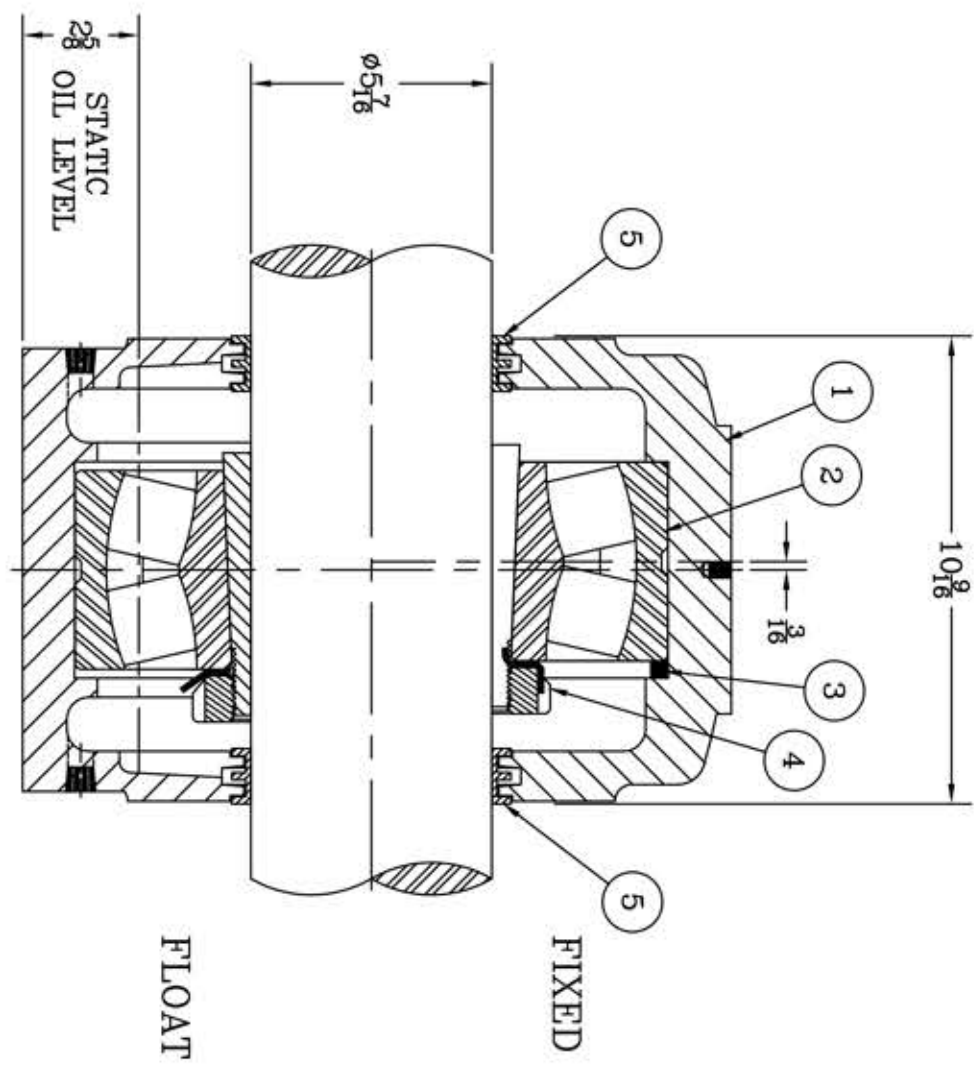


(4) CORED HOLES FOR $\phi 1/8$ BASE BOLTS

DRILLED & TAPPED FOR $3/8-16$ N.C. EYEBOLT



ITEM	DESCRIPTION	DETAIL	REQUIRED
1	HOUSING SDAFDD 632 05-07	C-	1 1
2	SPHERICAL ROLLER BEARING	22332K/W-33	1 1
3	STABILIZING RING SR-38-32	A-10555	1 0
4	ADAPTER SNW-32 05-07	24443	1 1
5	TRIPLE SEAL RING LER-211	A-15408	2 2
6	DOWEL	$\phi 2 \times 1$ " LONG	2 2
7	CAP BOLT HEX. HEAD GR.5	$1 1/4-7$ NC X 8" LONG	4 4
8	LOCKWASHER	$1 1/4$ SPLIT MED.	4 4
9	PIPE PLUG	$3/8-18$ NPT	5 5



HOUSING MATERIAL - DUCTILE IRON
ASTM A536 GR 65-45-12

REVISIONS

SYMBOL	MICRO-INCH VALUE	DESCRIPTION
C	16	...
D	32	...
E	63	...
F	125	...
G	250	...
J	500	...
K	1000	...

TOLERANCE: UNLESS OTHERWISE SPECIFIED
FRACTIONS $\pm 1/32$ " ANGLES $\pm 0^{\circ} 30'$
DECIMALS $\pm .005$ " WELD $\pm 1/16$ "
CASTING $\pm 1/16$ "

A.I.S.I. STANDARD FINISHES

AN ALCO INDUSTRIES COMPANY
BEARING PRODUCTS
ODESSA, TX. USA

SDAFDD 22632 05-07
ASSEMBLY DRAWING

SCALE 1 = 3
DRAWN PCF
DATE 1/9/13
CHK:

ASSEMBLY NO.
DRAWING NO. C-35288