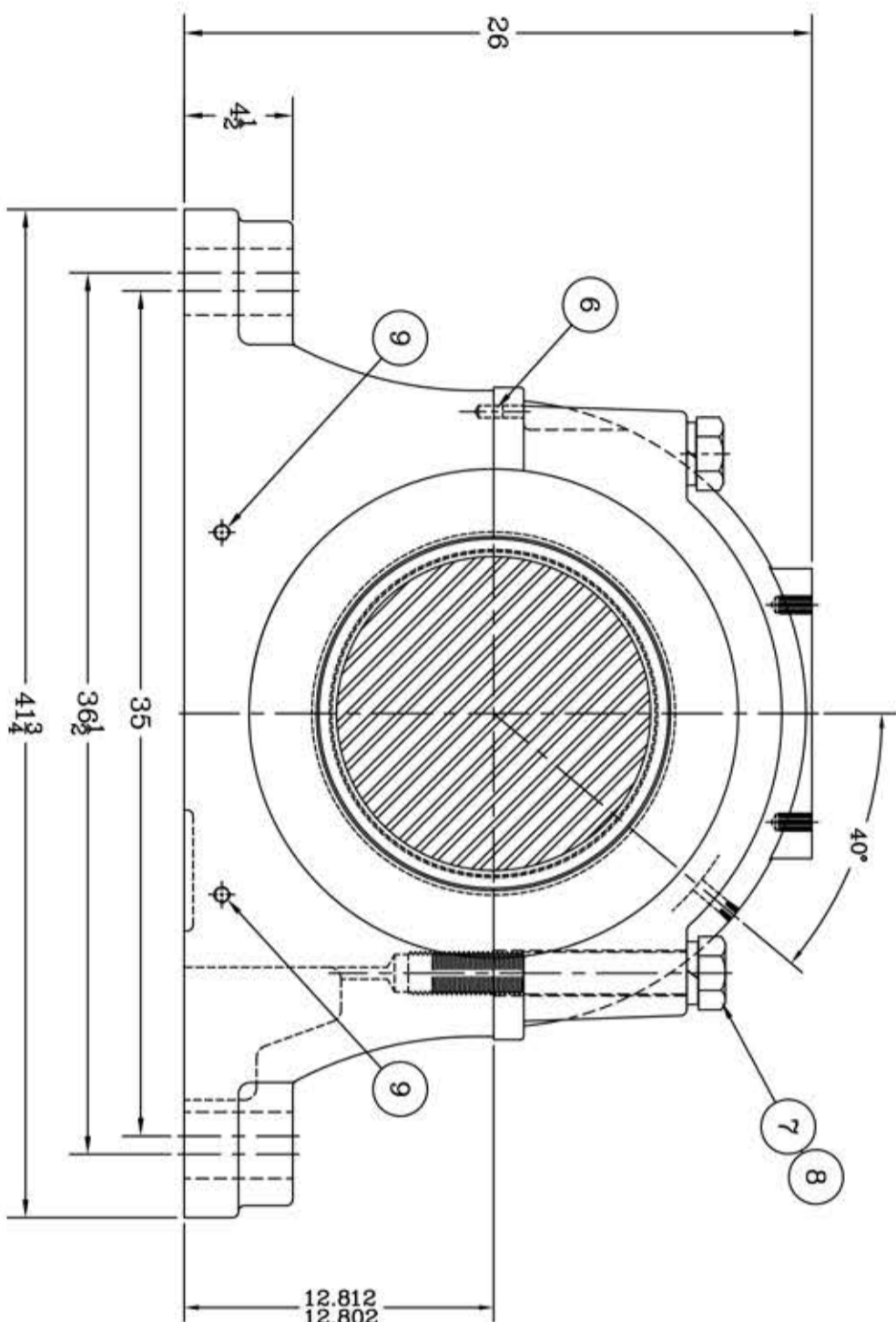
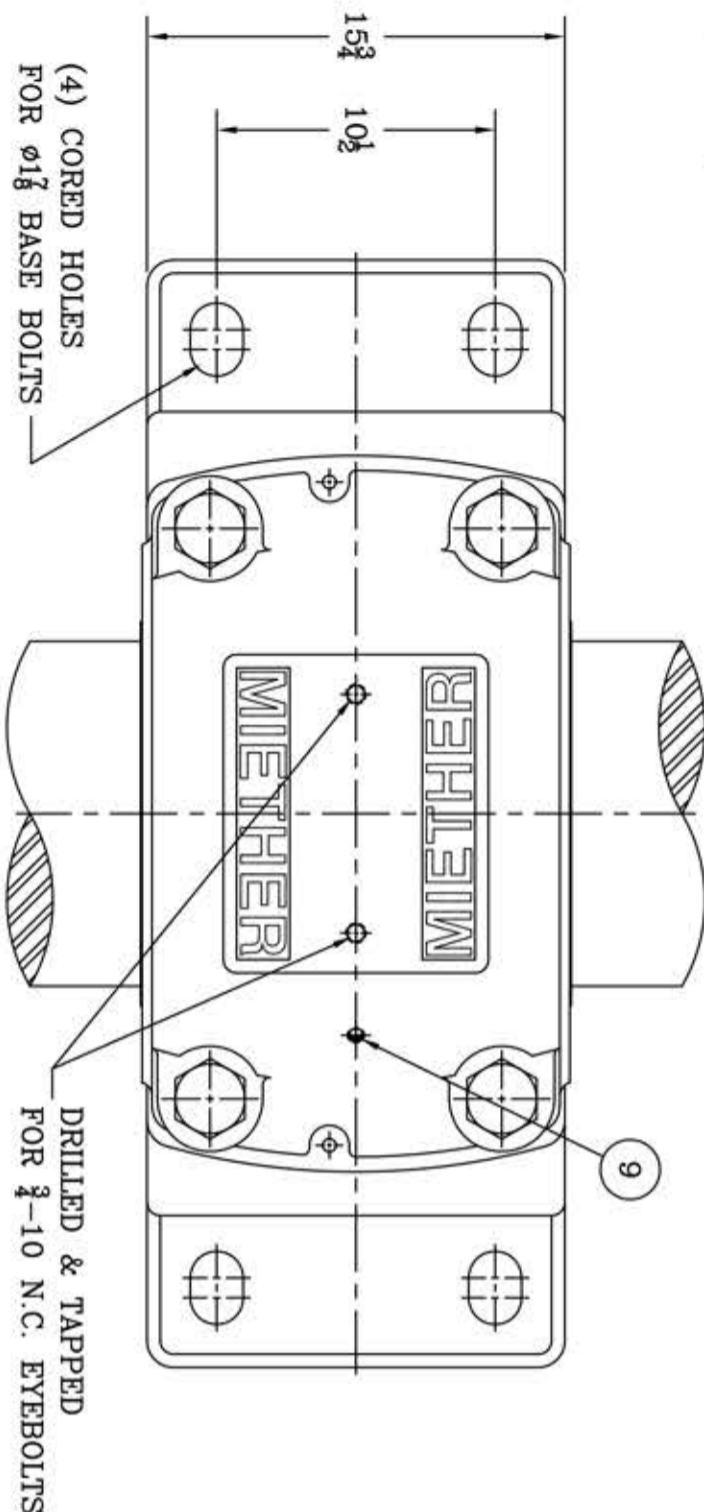
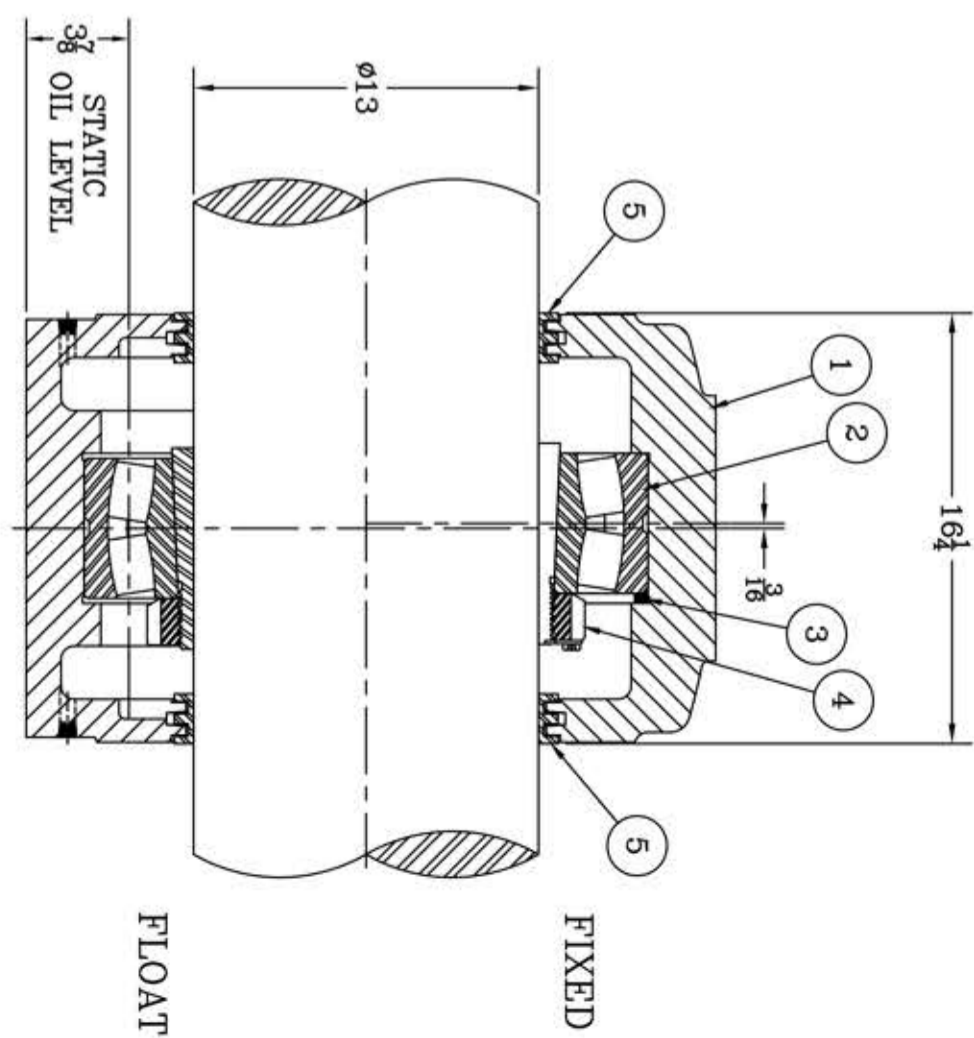


This drawing is the sole property of Miether Bearing Products and contains confidential and proprietary information. It is being provided to you for your use and may not be disclosed to any third party or used for any other purpose without Miether's prior written consent. The [materials] must be returned to the Company upon its demand. Your acceptance of these materials constitutes your acceptance of the foregoing terms.

C-35223



ITEM	DESCRIPTION	DETAIL	REQUIRED
1	HOUSING SDAFD 072K 13-00 C-		1 1
2	SPHERICAL ROLLER BEARING 23072K/W-33		1 1
3	STABILIZING RING A-8970	A-11636	1 0
4	ADAPTER SNP 3072 13-00	24282	1 1
5	TRIPLE SEAL RING ER-846	A-11637	2 2
6	DOWEL $\phi \frac{1}{2}$ x 1" LONG		2 2
7	CAP BOLT HEX. HEAD GR.5 $1 \frac{1}{2}$ -5 NC x 11" LONG		4 4
8	LOCKWASHER $1 \frac{1}{2}$ SPLIT MED.		4 4
9	PIPE PLUG $\frac{1}{2}$ -14 NPT		5 5



REVISIONS

SYMBOL	DESCRIPTION	DATE	BY
C	...	16	32
D	...	63	125
E	...	250	500
F	...	500	1000
G	...		
H	...		
I	...		
J	...		
K	...		

TOLERANCE: UNLESS OTHERWISE SPECIFIED

FRACTIONS $\pm 1/32$ " ANGLES $\pm 0^\circ 30'$

DECIMALS $\pm .005$ WELD. $\pm 1/16$ "

CASTING $\pm 1/16$ "

A.I.S.I. STANDARD FINISHES

AN ALCO INDUSTRIES COMPANY

BEARING PRODUCTS

ODESSA, TX. USA

SDAFD 23072 K 13-00

ASSEMBLY DRAWING

SCALE 1 = 5

DRAWN PCF

DATE 1/2/13

ASSEMBLY NO.

DRAWING NO. C-35223

CHK: