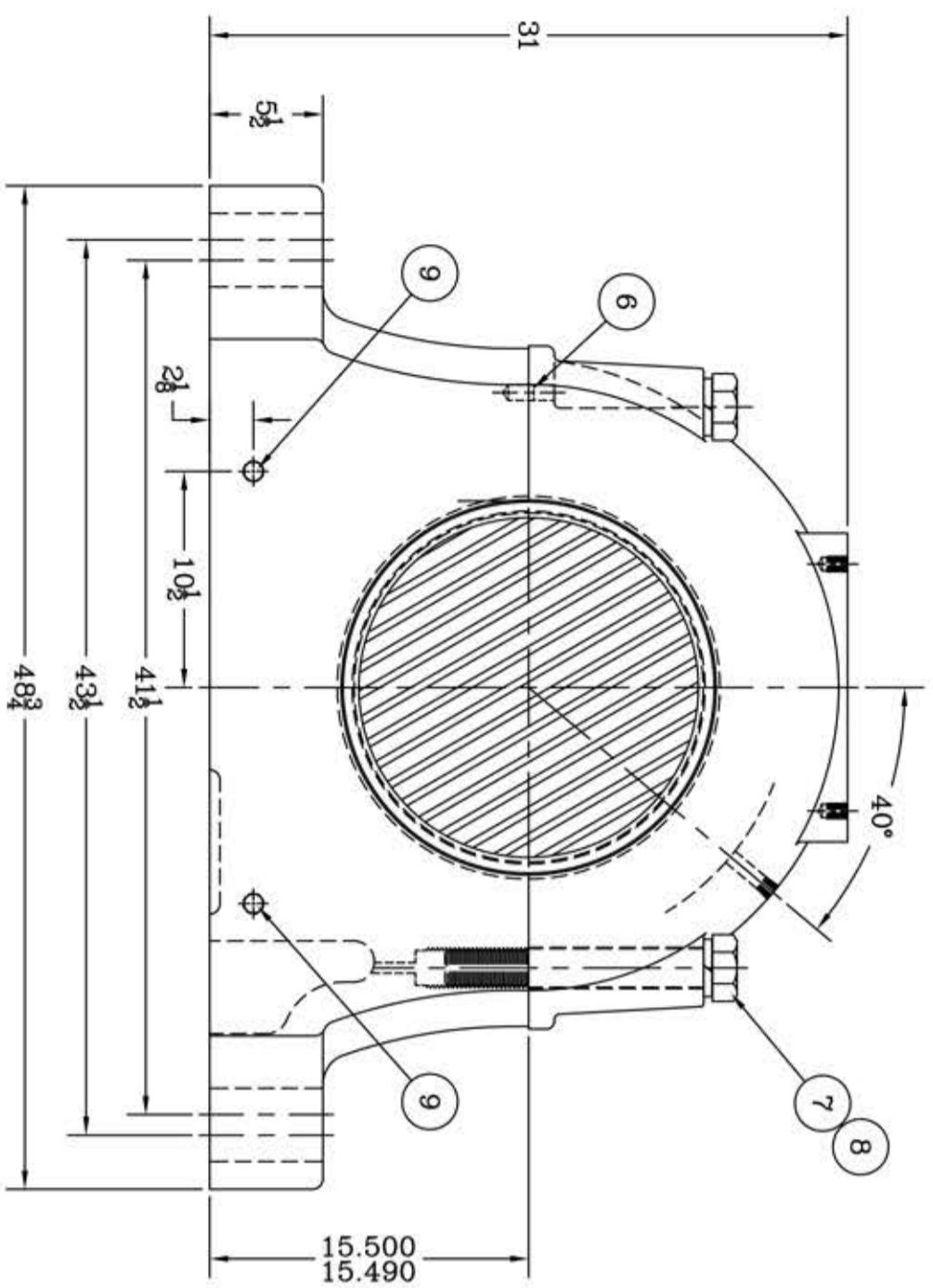
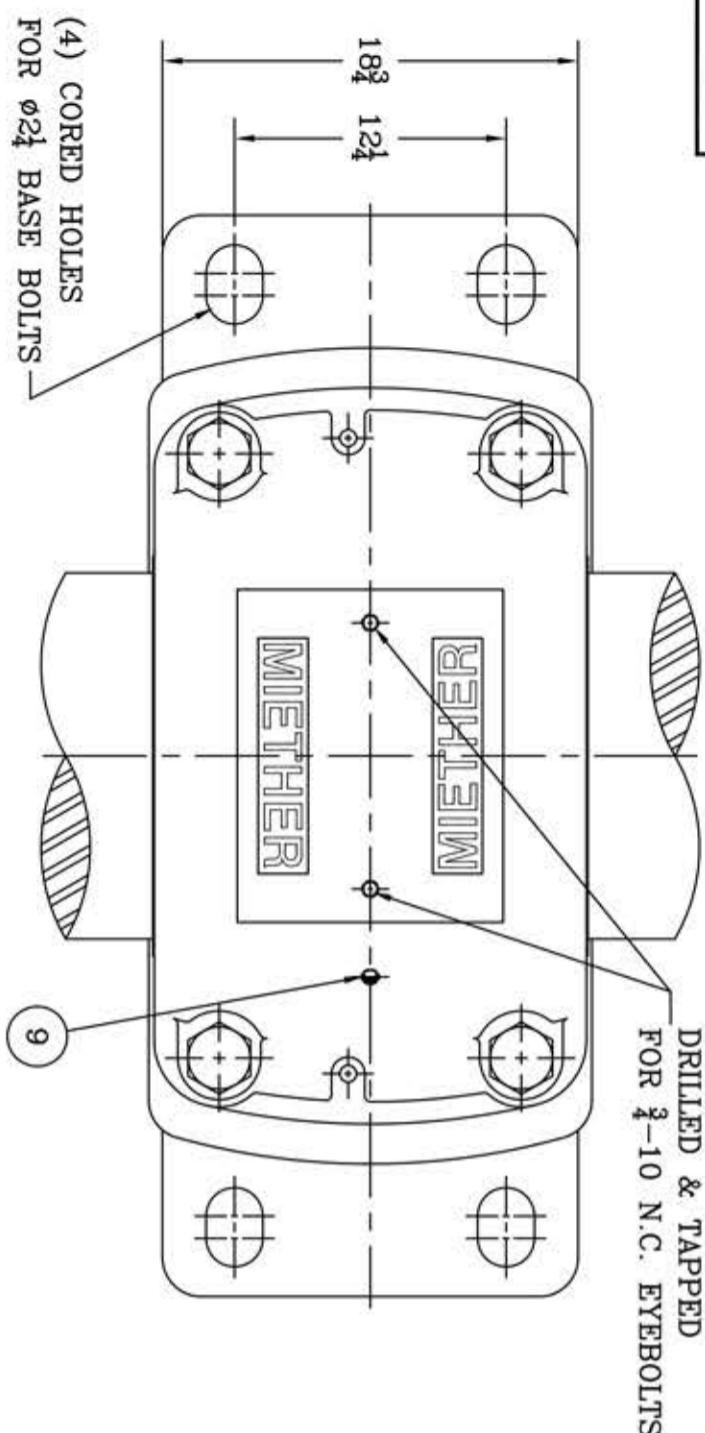
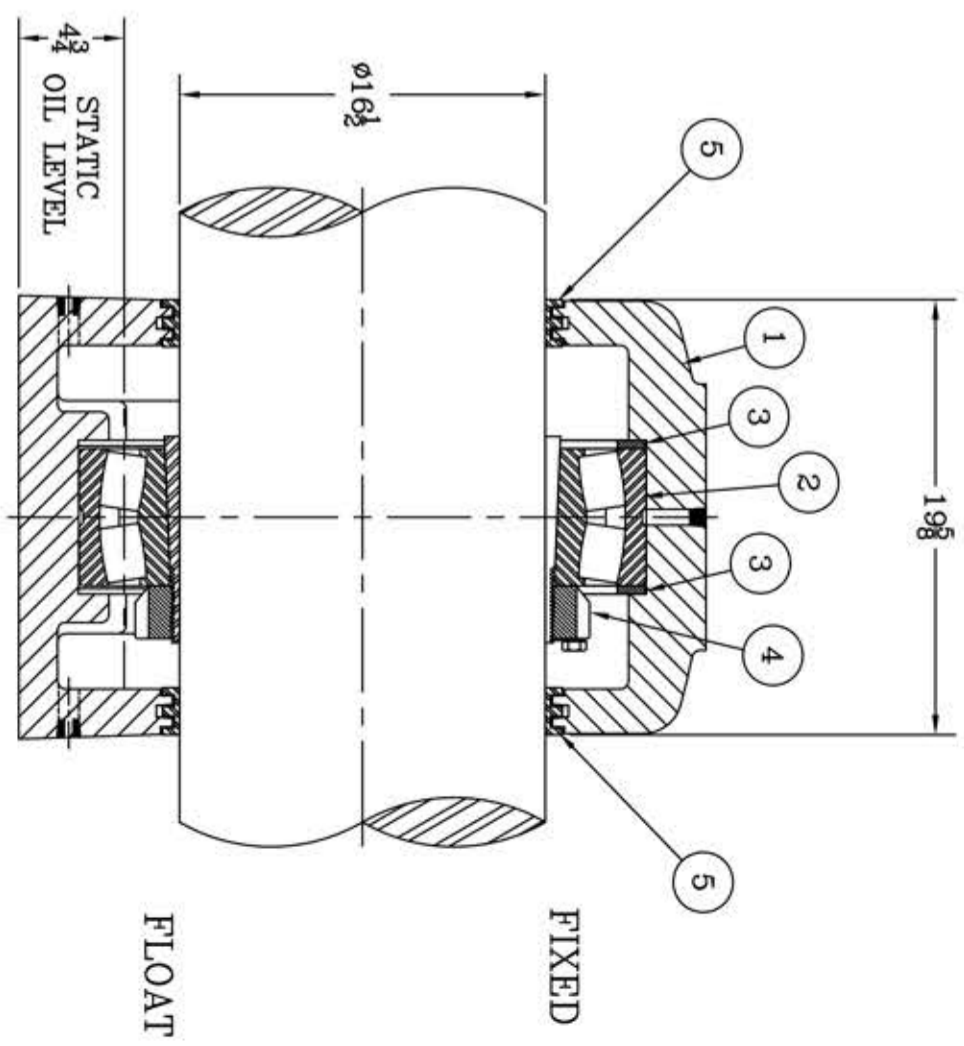


This drawing is the sole property of Miether Bearing Products and contains confidential and proprietary information. It is being provided to you for your use and may not be disclosed to any third party or used for any other purpose without Miether's prior written consent. The [materials] must be returned to the Company upon its demand. Your acceptance of these materials constitutes your acceptance of the foregoing terms.

C-35226



ITEM	DESCRIPTION	DETAIL	REQUIRED
1	HOUSING SDAFD 088 K 16-08	C-	1 1
2	SPHERICAL ROLLER BEARING	23088K/W-33	1 1
3	STABILIZING RING A-8979	A-20213	2 0
4	ADAPTER SNP 3088 x 16-08		1 1
5	TRIPLE SEAL RING ER 958 S	A-32797	2 2
6	DOWEL	$\phi 3/4$ x 1 LONG	2 2
7	CAP BOLT HEX. HEAD GR.5	1 1/2-5 NC x 13" LONG	4 4
8	LOCKWASHER	1 1/2 SPLIT MED.	4 4
9	PIPE PLUG	1/2-14 NPT	5 5
10			



REVISIONS	
SYMBOL	DESCRIPTION
16	32
63	125
250	500
1000	

TOLERANCE: UNLESS OTHERWISE SPECIFIED
 FRACTIONS $\pm 1/32$ "
 DECIMALS $\pm .005$ "
 CASTING $\pm 1/16$ "
 ANGLES $\pm 0^\circ 30'$
 WELD $\pm 1/16$ "
 A.S.I. STANDARD FINISHES

SDAFD 23088 K 16-08
 ASSEMBLY DRAWING
 SCALE 1 = 6
 DRAWN PCF
 DATE 1/2/13
 ASSEMBLY NO.
 DRAWING NO.
 C-35226

