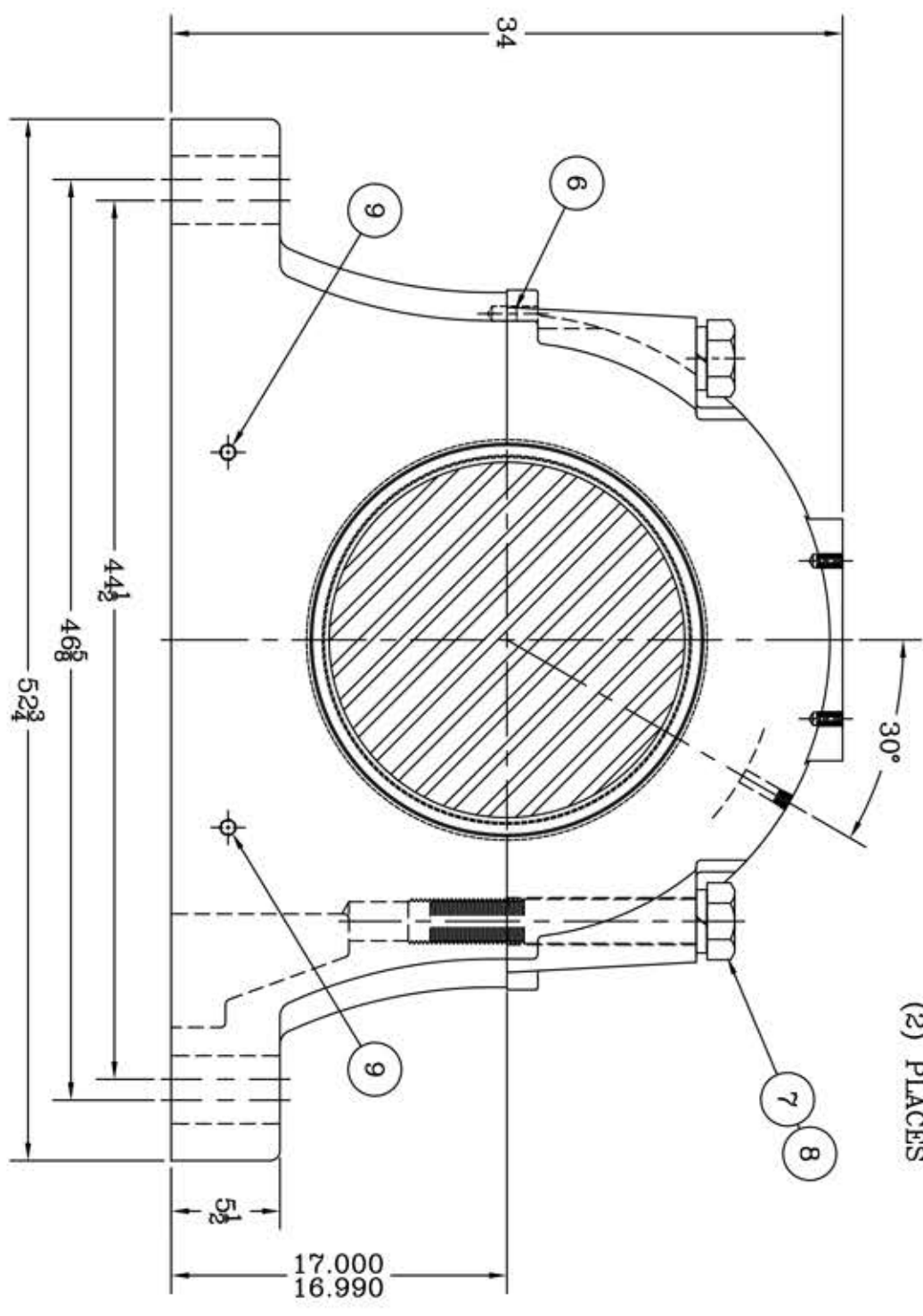
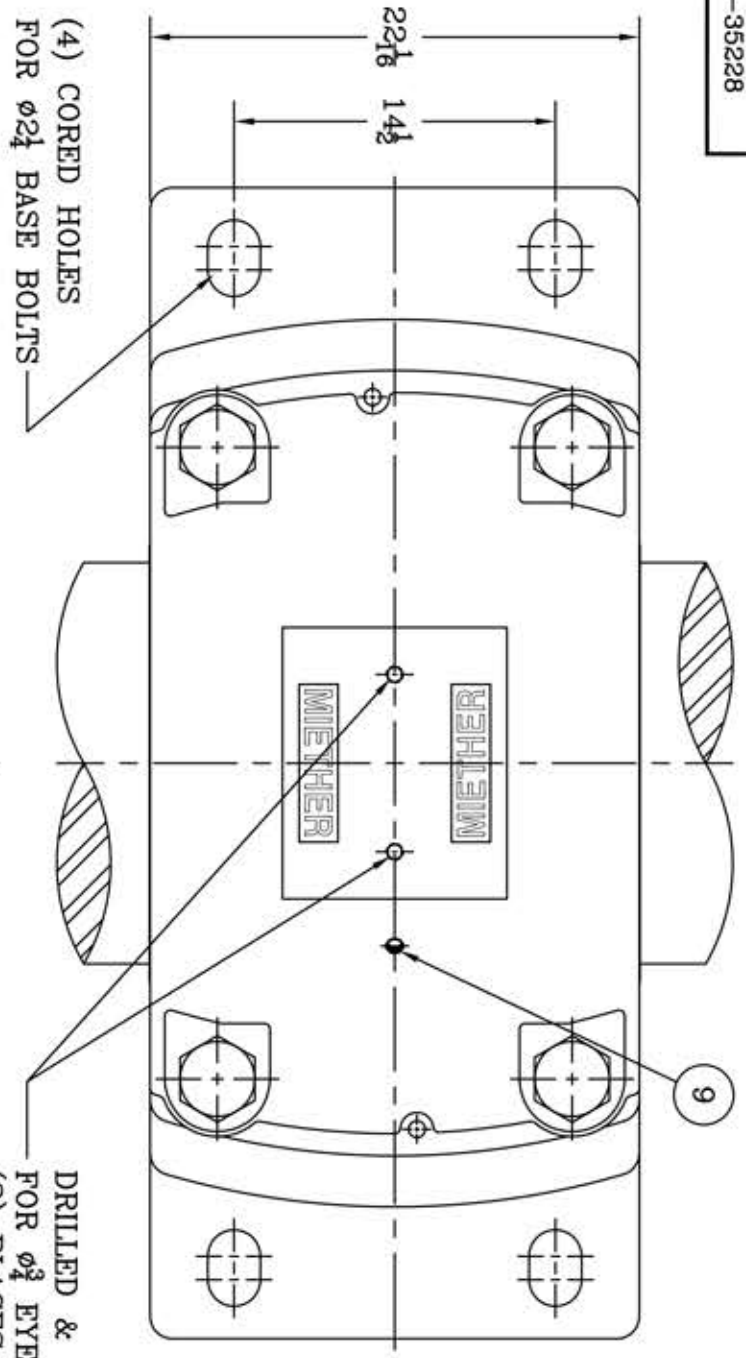
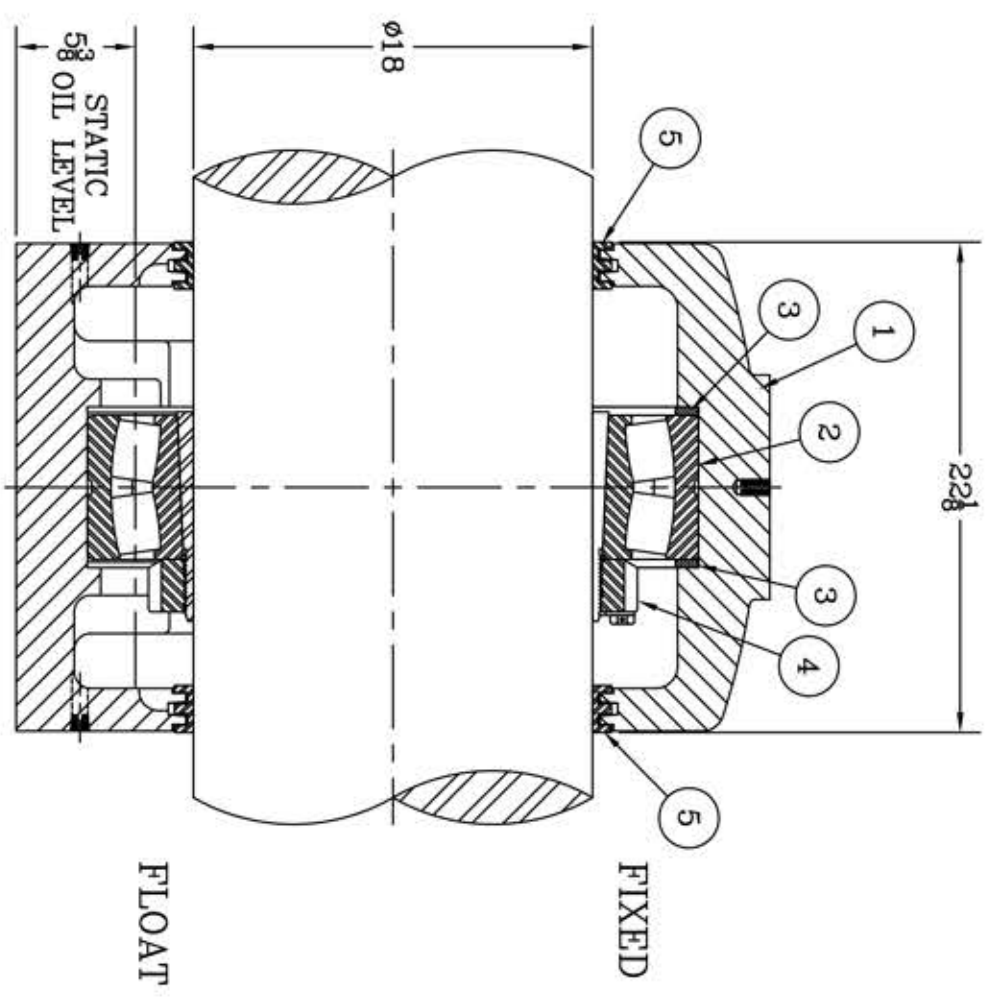


This drawing is the sole property of Miether Bearing Products and contains confidential and proprietary information. It is being provided to you for your use and may not be disclosed to any third party or used for any other purpose without Miether's prior written consent. The [materials] must be returned to the Company upon its demand. Your acceptance of these materials constitutes your acceptance of the foregoing terms.

C-35228



ITEM	DESCRIPTION	DETAIL	REQUIRED
1	HOUSING SDAFDD 096K 18-00	C-	1 1
2	SPHERICAL ROLLER BEARING	23096K/W-33	1 1
3	STABILIZING RING SR-8984	A-19610	2 0
4	ADAPTER SNP 3096 18-00	B-10213	1 1
5	TRIPLE SEAL RING ER-888	A-18257	2 2
6	DOWEL	$\phi \frac{3}{4}$ x 1" LONG	2 2
7	CAP BOLT HEX. HEAD GR.5	$2\frac{1}{4}$ - $4\frac{1}{2}$ NC x 14" LONG	4 4
8	LOCKWASHER	$2\frac{1}{4}$ SPLIT MED.	4 4
9	PIPE PLUG	$\frac{1}{2}$ -14 NPT	5 5



REVISIONS

SYMBOL	DESCRIPTION
C	
D	
E	
F	
G	
J	
K	

TOLERANCE: UNLESS OTHERWISE SPECIFIED

FRACTIONS $\pm 1/32$ "

DECIMALS $\pm .005$ "

CASTING $\pm 1/16$ "

WELD $\pm 1/16$ "

ANGLES $\pm 0^\circ-30'$

A.S.I. STANDARD FINISHES

MICRO-INCH VALUE	FINISH
16	C
32	D
63	E
125	F
250	G
500	J
1000	K

AN ALCO INDUSTRIES COMPANY
BEARING PRODUCTS
ODESSA, TX. USA

SDAFDD 23096 K 18-00
ASSEMBLY DRAWING

SCALE 1 = 6
DRAWN PCF
DATE 1/3/13
CHK:

ASSEMBLY NO. C-27755-R
DRAWING NO. C-35228