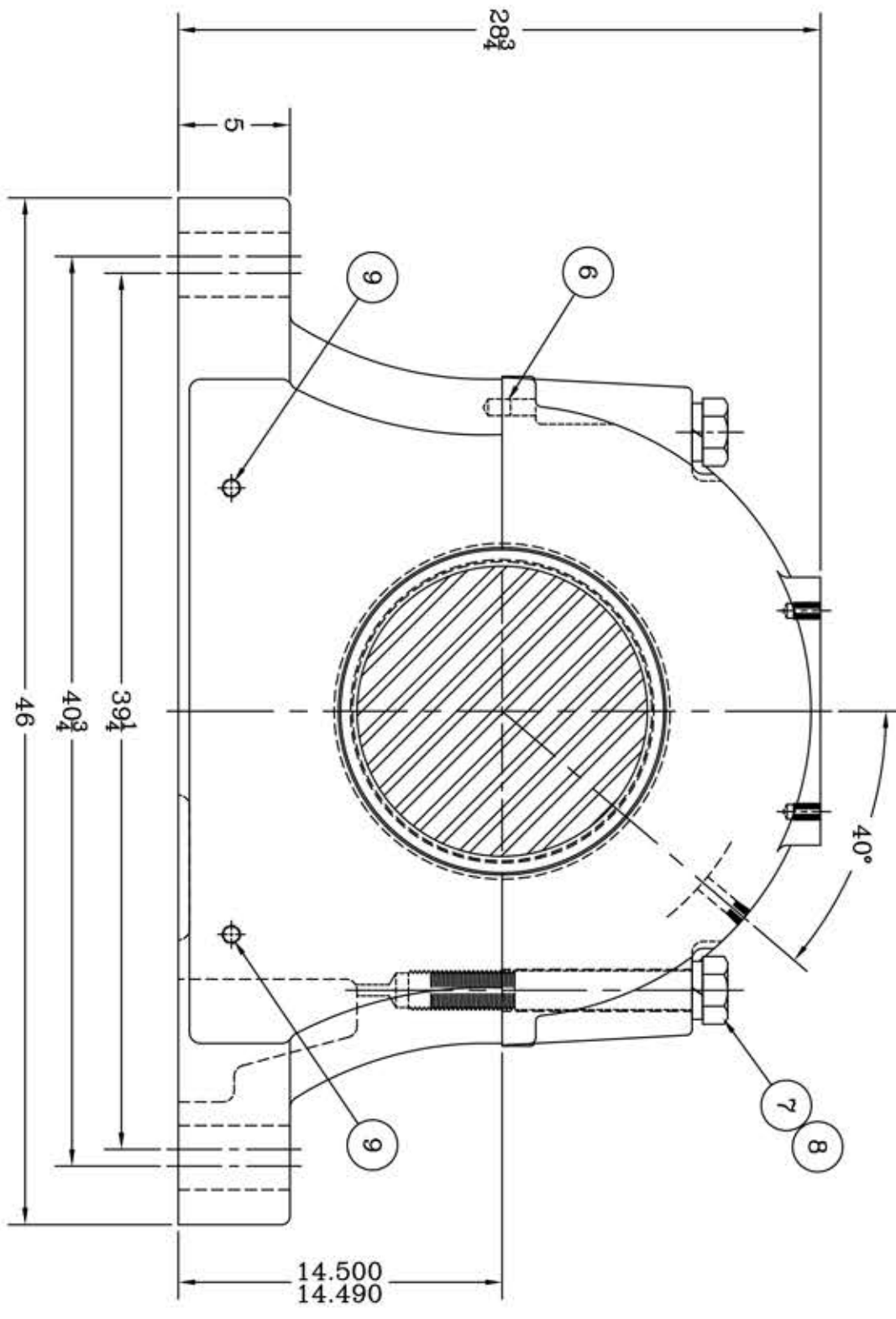
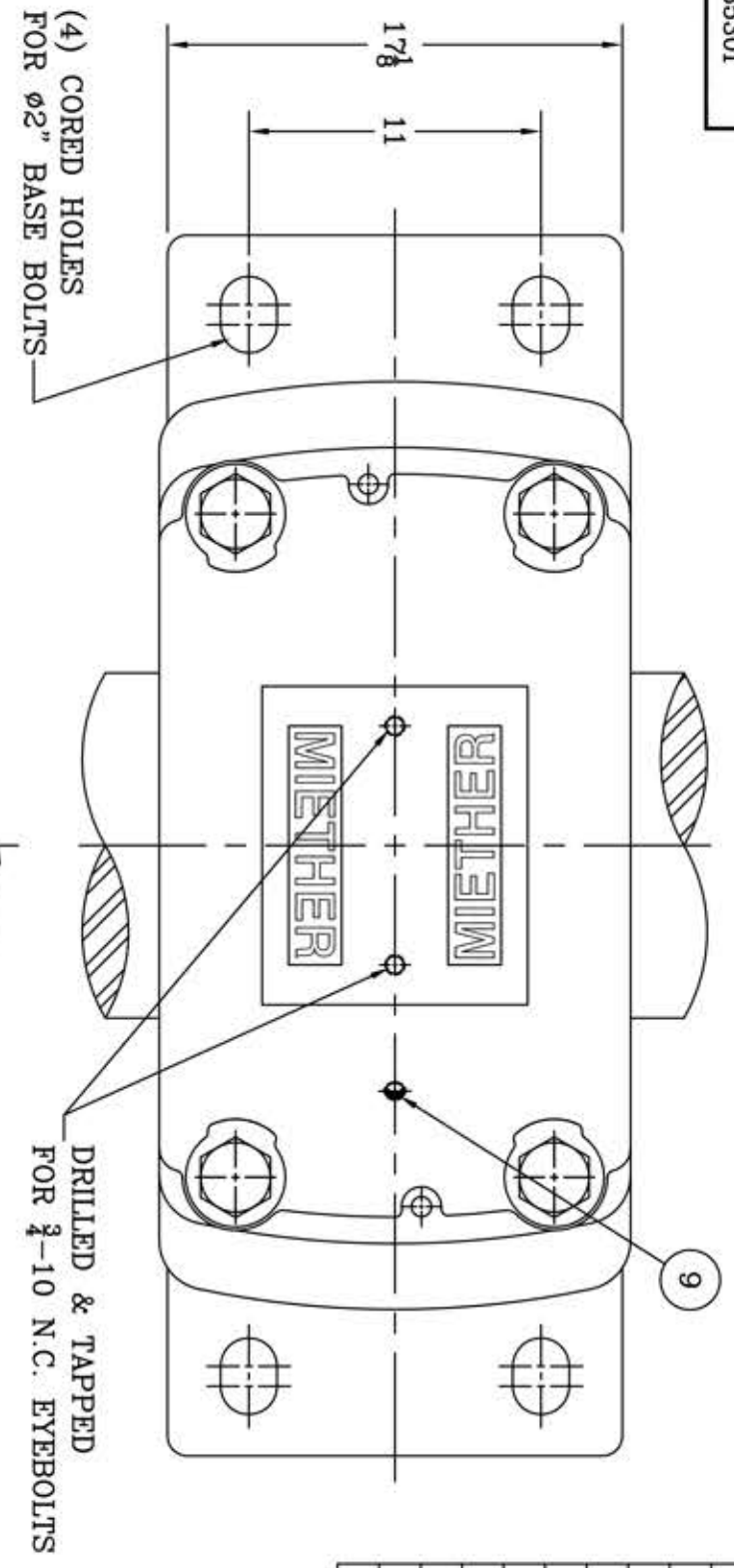
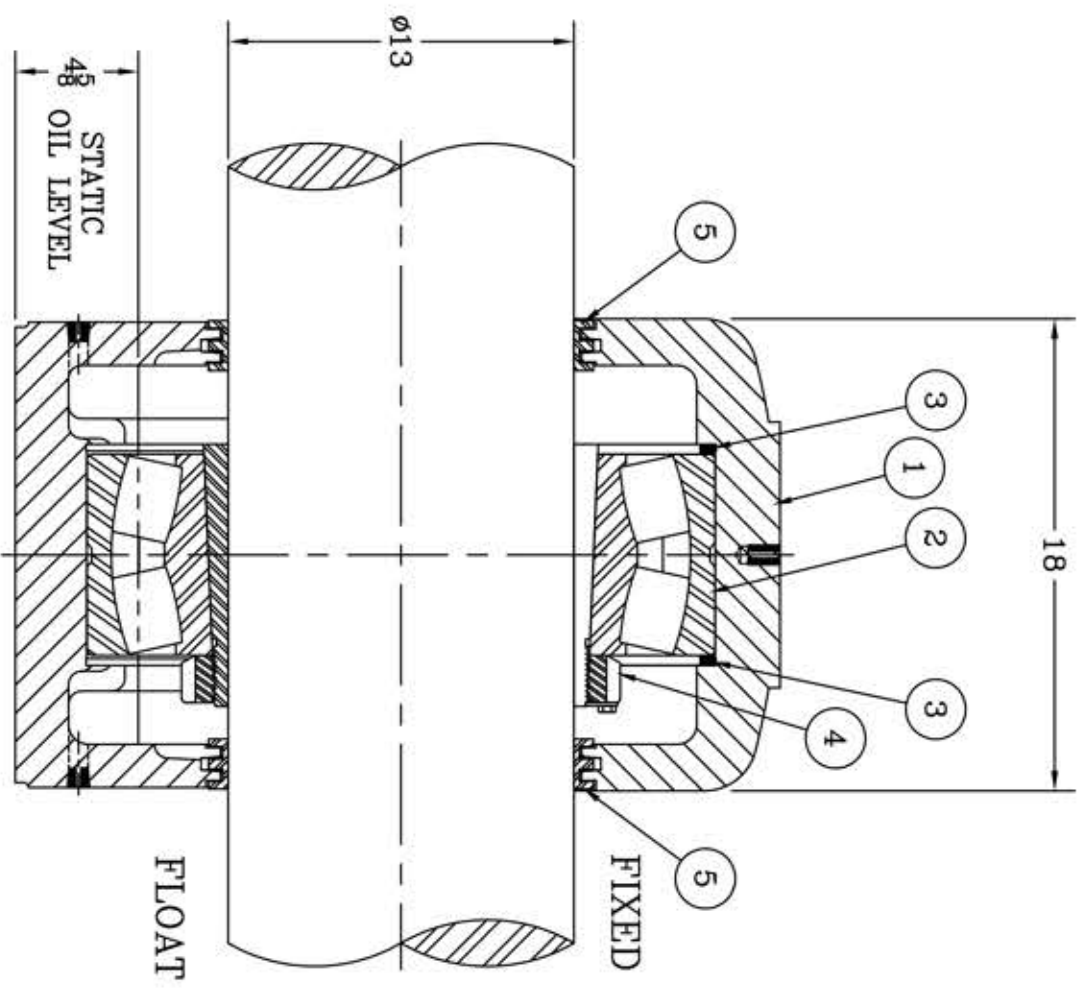


This drawing is the sole property of Miether Bearing Products and contains confidential and proprietary information. It is being provided to you for your use and may not be disclosed to any third party or used for any other purpose without Miether's prior written consent. The [materials] must be returned to the Company upon its demand. Your acceptance of these materials constitutes your acceptance of the foregoing terms.

C-35301



ITEM	DESCRIPTION	DETAIL	REQUIRED
1	HOUSING SDAFDD 3172 K 13-00	C-	1 1
2	SPHERICAL ROLLER BEARING	23172K/W-33	1 1
3	STABILIZING RING A8974	A-19945	2 0
4	ADAPTER SNP-3172 13-00	24305	1 1
5	TRIPLE SEAL RING ER-846	A-11637	2 2
6	DOWEL	$\phi \frac{3}{4}$ x 1" LONG	2 2
7	CAP BOLT HEX. HEAD GR.5	1 1/2-5 NC x 13" LONG	4 4
8	LOCKWASHER	1 1/2 SPLIT MED.	4 4
9	PIPE PLUG	1/2-14 NPT	5 5



HOUSING MATERIAL - DUCTILE IRON
ASTM A536 GR 65-45-12

REVISIONS

SYMBOL	DESCRIPTION
C	...
D	...
E	...
F	...
G	...
J	...
K	...

TOLERANCE: UNLESS OTHERWISE SPECIFIED
FRACTIONS $\pm 1/32$ " ANGLES $\pm 0^\circ 30'$
DECIMALS $\pm .005$ " WELD $\pm 1/16$ "
CASTING $\pm 1/16$ "

A.I.S.I. STANDARD FINISHES

MICRO-INCH VALUE	FINISH SYMBOL
16	C
32	D
63	E
125	F
250	G
500	J
1000	K

AN ALCO INDUSTRIES COMPANY
BEARING PRODUCTS
ODESSA, TX USA

SDAFDD 23172 K 13-00
ASSEMBLY DRAWING

SCALE 1 = 5
DRAWN PCF
DATE 1/9/13
CHK:

ASSEMBLY NO.
DRAWING NO. C-35301