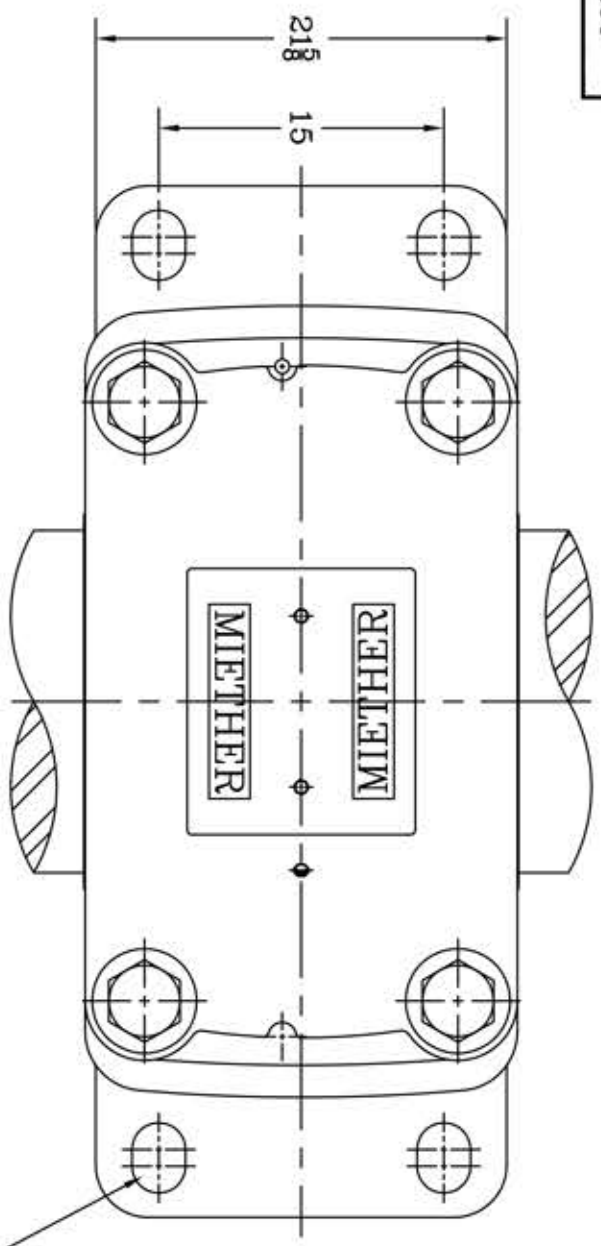


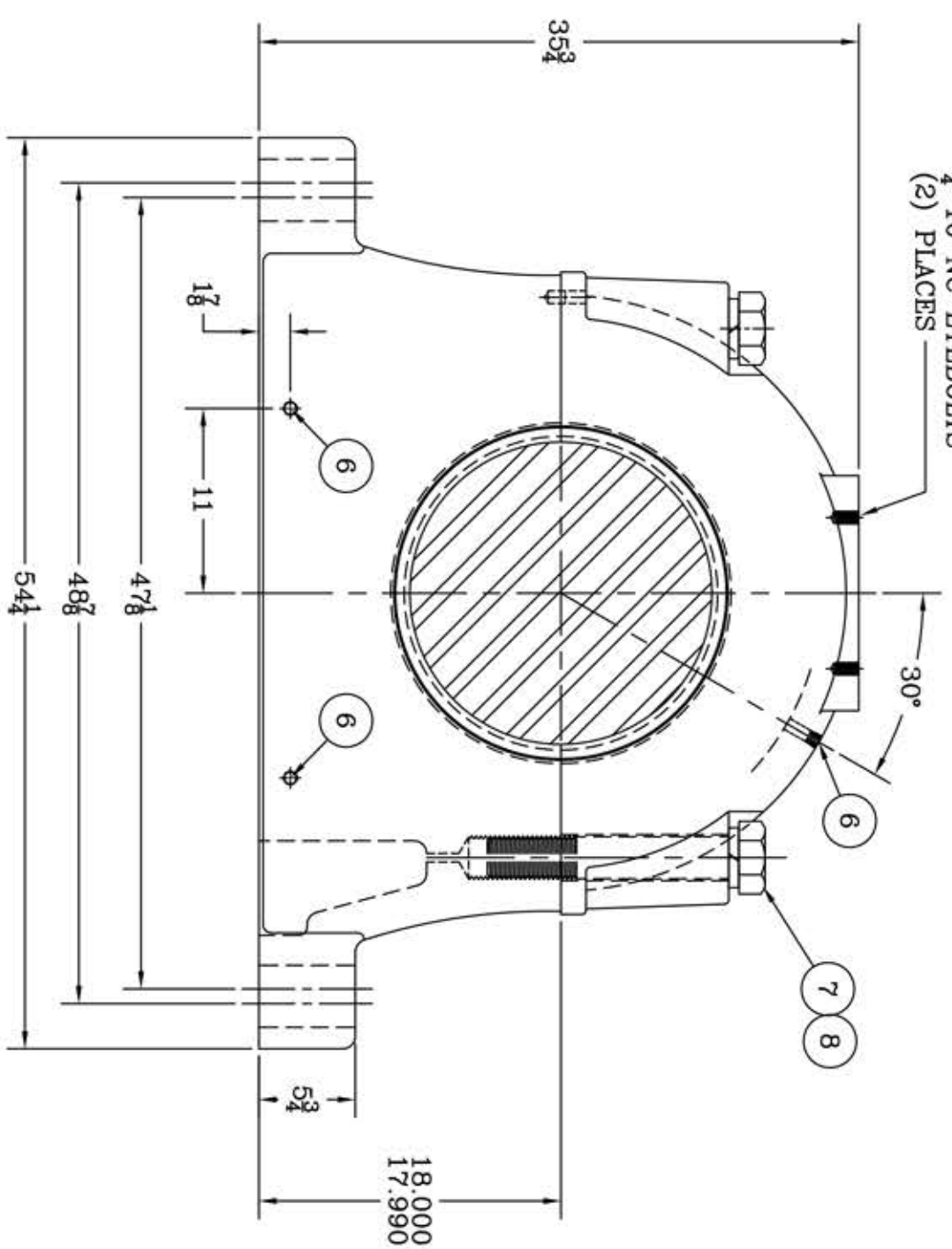
This drawing is the sole property of Miether Bearing Products and contains confidential and proprietary information. It is being provided to you for your use and may not be disclosed to any third party or used for any other purpose without Miether's prior written consent. The [materials] must be returned to the Company upon its demand. Your acceptance of these materials constitutes your acceptance of the foregoing terms.

C-35304

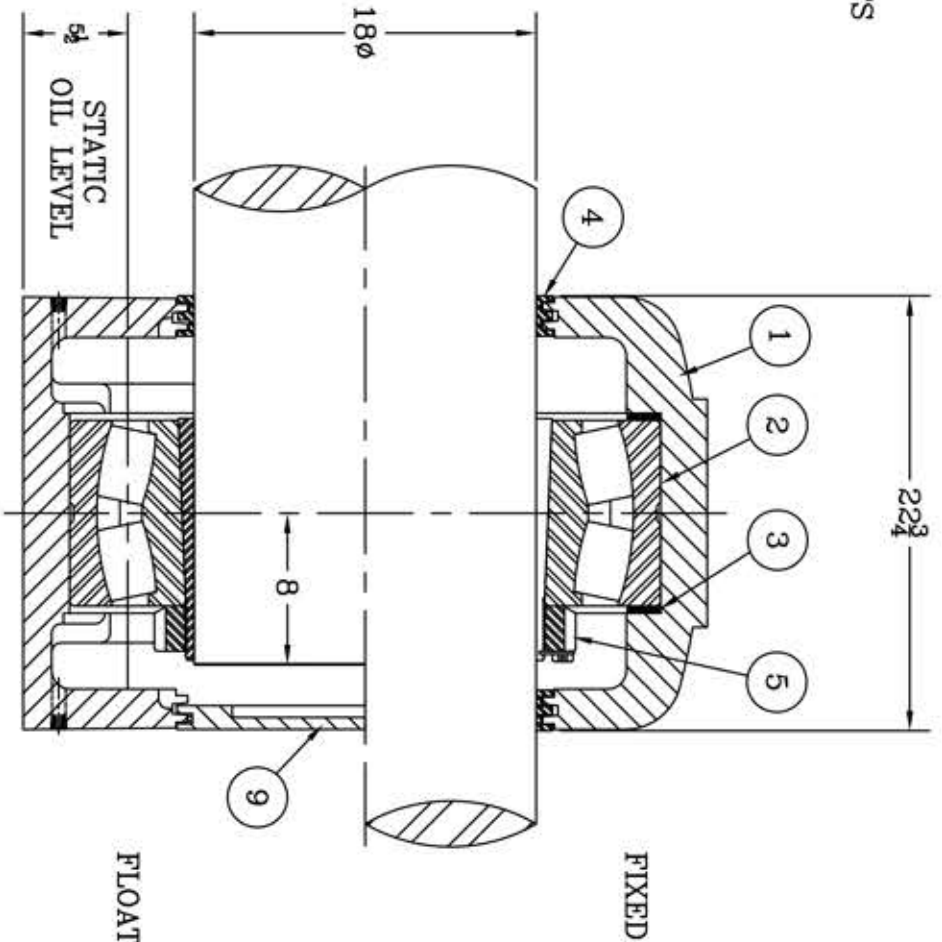


DRILLED & TAPPED FOR
 $\frac{3}{4}$ -10 NC EYEBOLTS
 (2) PLACES

(4) CORED HOLES
 FOR $\phi 2\frac{1}{2}$ BASE BOLTS



| ITEM | DESCRIPTION | DETAIL | QTY |
|------|----------------------------|--------------------|-----|
| 1 | HOUSING SDAFD 3196 x 18-00 | C- | 1 |
| 2 | SPHERICAL ROLLER BEARING | 23196K/W 33 | 1 |
| 3 | STABILIZING RING A8988 | A-20786 | 2 |
| 4 | SEAL RING ER 888 | A-18247 | 2 |
| 5 | ADAPTER SNP 3096 18-00 | B-24289 | 1 |
| 6 | PIPE PLUG | 1/2-14 NPT | 5 |
| 7 | CAP BOLT HEX . HD. GR 5 | 2 1/2-4 NC X 15 LG | 4 |
| 8 | LOCKWASHER | 2 1/2 SPLIT | 4 |
| 9 | ENDPLUG | A-20821 | OPT |



HOUSING MATERIAL - DUCTILE IRON
 ASTM A536 GR 65-45-12

REVISIONS

| SYMBOL | DESCRIPTION |
|--------|-------------|
| C | 16 |
| D | 32 |
| E | 63 |
| F | 125 |
| G | 250 |
| J | 500 |
| K | 1000 |

TOLERANCE: UNLESS OTHERWISE SPECIFIED
 FRACTIONS $\pm 1/32$ " ANGLES $\pm 0^\circ 30'$
 DECIMALS $\pm .005$ WELD $\pm 1/16$ "
 CASTING $\pm 1/16$ "

A.I.S.I. STANDARD FINISHES

AN ALCO INDUSTRIES COMPANY
 BEARING PRODUCTS
 ODESSA, TX. USA

SDAFD 23196 K 18-00
 ASSEMBLY DRAWING

SCALE 1 = 7
 DRAWN PCF
 DATE 1/9/13
 CHECK:

ASSEMBLY NO.
 DRAWING NO.
 C-35304