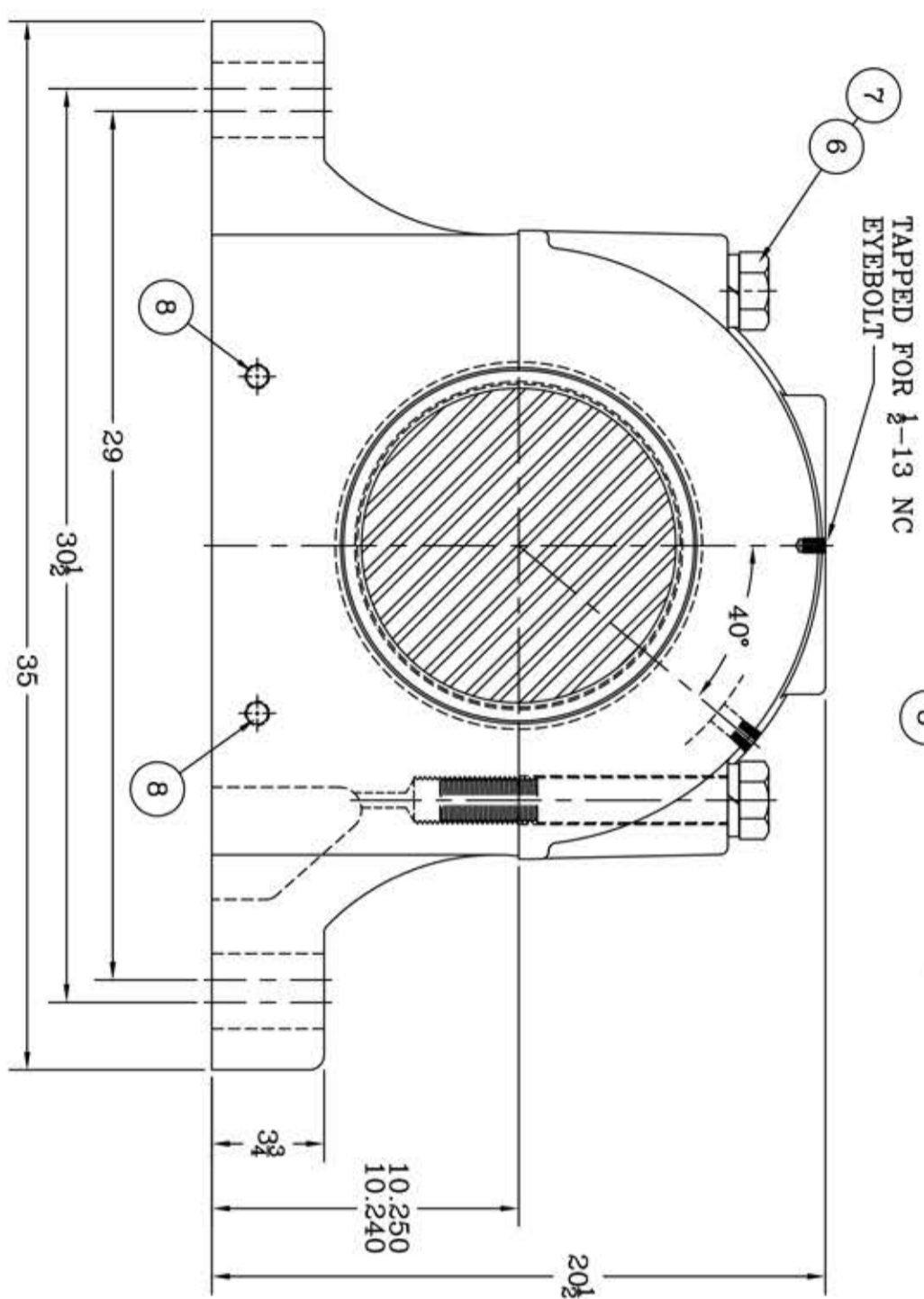
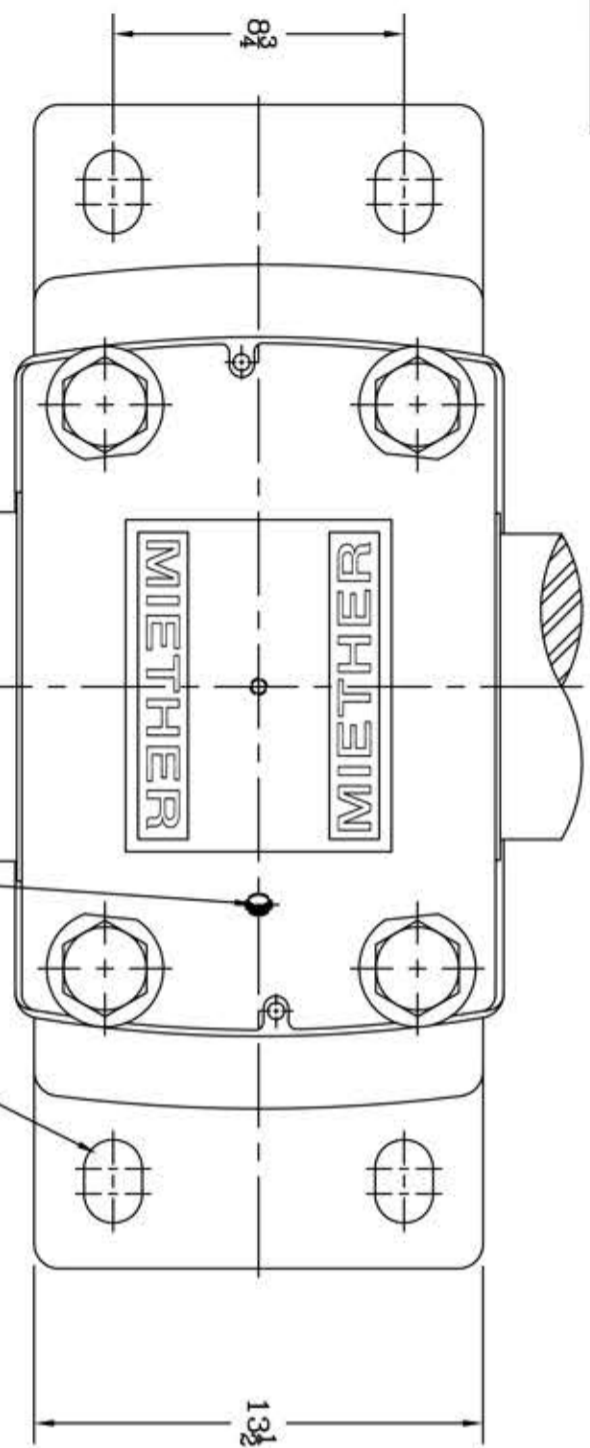
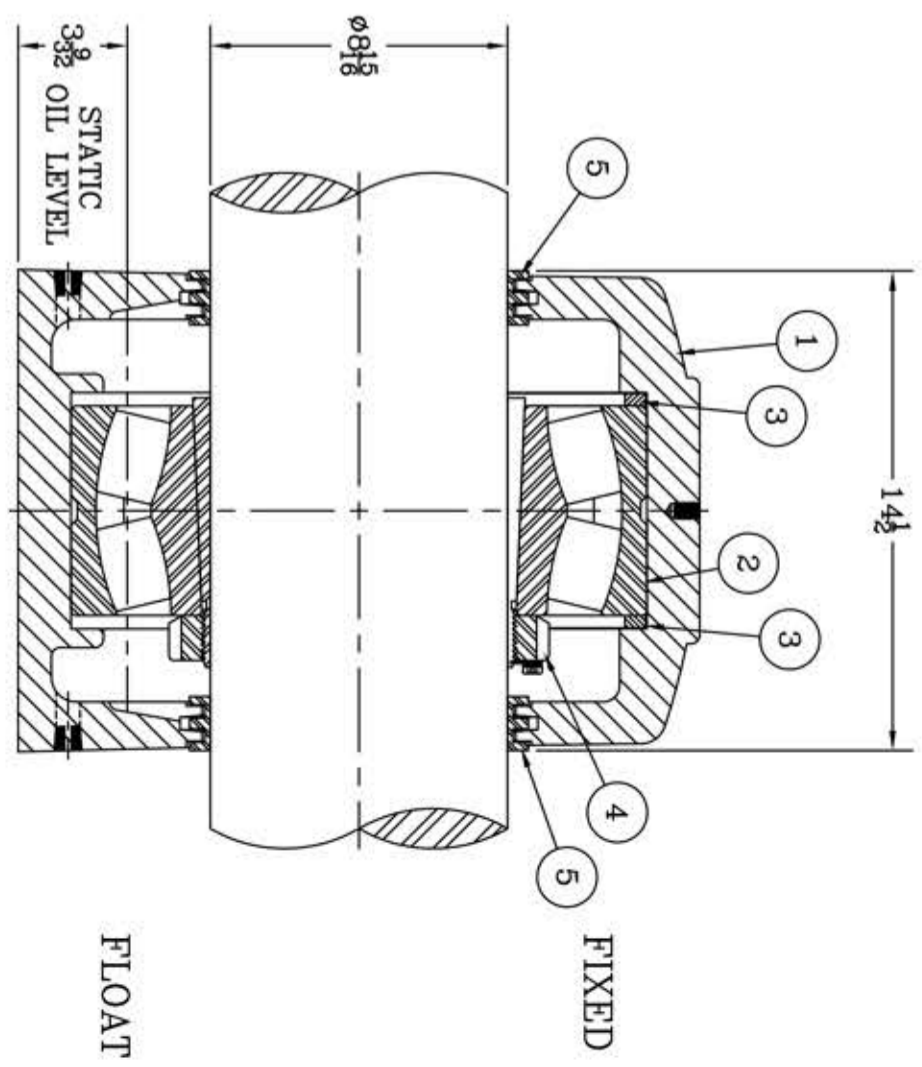


This drawing is the sole property of Miether Bearing Products and contains confidential and proprietary information. It is being provided to you for your use and may not be disclosed to any third party or used for any other purpose without Miether's prior written consent. The [materials] must be returned to the Company upon its demand. Your acceptance of these materials constitutes your acceptance of the foregoing terms.

C-35312



ITEM	DESCRIPTION	DETAIL	REQUIRED
1	HOUSING SDAFD 3248 K 08-15	C-	1 1
2	SPHERICAL ROLLER BEARING	23248K/W33	1 1
3	STABILIZING RING	A-5679	2 0
4	ADAPTER	SNP 148 08-15	1 1
5	TRIPLE SEAL RING	ER-914	2 2
6	CAP BOLT HEX HEAD GR. 5	A-18800	4 4
7	LOCKWASHER	1 1/2-6 NC x 10" LONG	4 4
8	PIPE PLUG	1 1/2 SPLIT MED.	4 4
		1/2-14 NPT	5 5



HOUSING MATERIAL - DUCTILE IRON
ASTM A536 GR 65-45-12

REVISIONS

SYMBOL	DESCRIPTION
✓	16
∇	32
∇	63
∇	125
∇	250
∇	500
∇	1000

TOLERANCE: UNLESS OTHERWISE SPECIFIED
FRACTIONS $\pm 1/32"$ ANGLES $\pm 0^\circ 30'$
DECIMALS $\pm .005$ WELD $\pm 1/16"$
CASTING $\pm 1/16"$

A.I.S.I. STANDARD FINISHES

AN ALCO INDUSTRIES COMPANY
BEARING PRODUCTS
ODESSA, TX. USA

SDAFD 23248 K 08-15	ASSEMBLY DRAWING
SCALE 1 = 4	ASSEMBLY NO.
DRAWN PCF	DRAWING NO.
DATE 1/10/13	CHK: C-35312