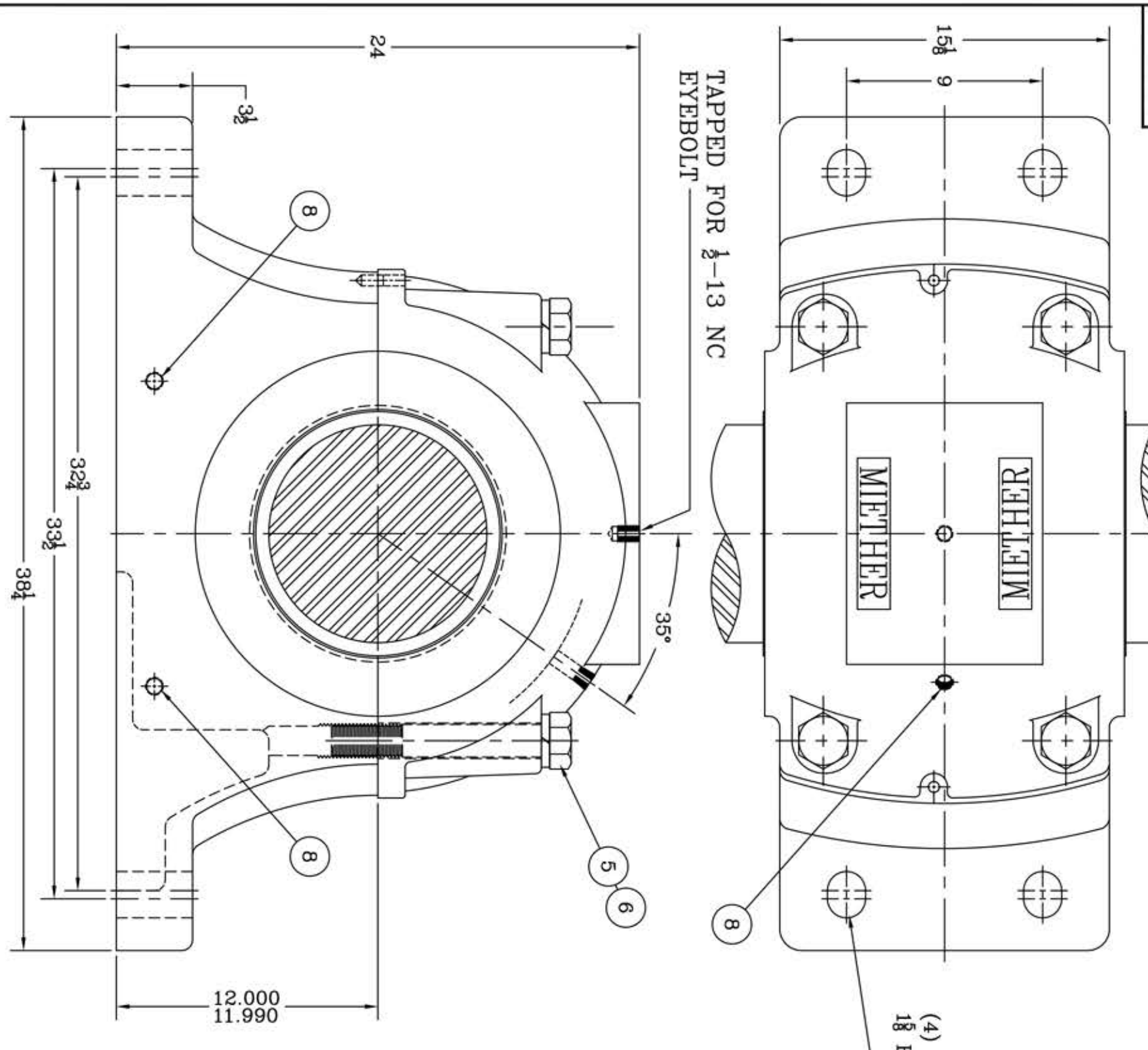
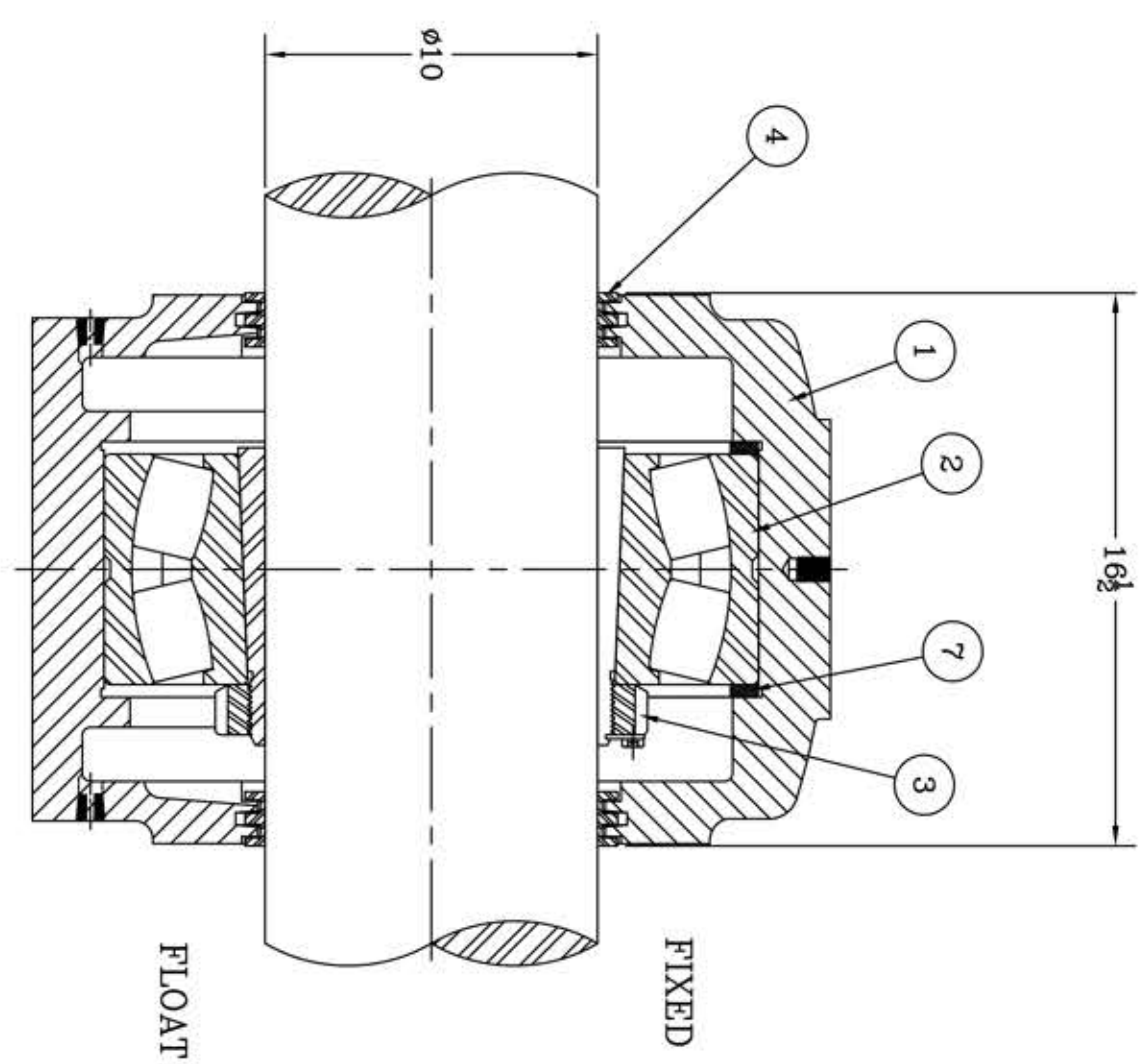


This drawing is the sole property of Miether Bearing Products and contains confidential and proprietary information. It is being provided to you for your use and may not be disclosed to any third party or used for any other purpose without Miether's prior written consent. The [materials] must be returned to the Company upon its demand. Your acceptance of these materials constitutes your acceptance of the foregoing terms.

C-35314



ITEM	DESCRIPTION	DETAIL	FXD.	FLT.
1	HOUSING SDAFD 3256K 10"	C-	1	1
2	SPHERICAL ROLLER BRG.	23256K/W-33	1	1
3	ADAPTER SNP-3256 10"	B-24318	1	1
4	TRIPLE SEAL RING ER 820	A-15538	2	2
5	CAP BOLT HEX. HD. GR.5	1/4-6 NC X 10" LONG	4	4
6	LOCKWASHER	1/4 SPLIT	4	4
7	STAB RING A8975	A-12809	2	0
8	PIPE PLUG	1/2-14 NPT	5	5



HOUSING MATERIAL - DUCTILE IRON
ASTM A536 GR 65-45-12

REVISIONS

SYMBOL	DESCRIPTION
C	16
D	32
E	63
F	125
G	250
J	500
K	1000

TOLERANCE: UNLESS OTHERWISE SPECIFIED
FRACTIONS +- 1/32" ANGLES +- 0° 30'
DECIMALS +- .005" WELD +- 1/16"
CASTING +- 1/16"

A.I.S.I. STANDARD FINISHES

AN ALCO INDUSTRIES COMPANY
BEARING PRODUCTS
ODESSA, TX. USA

SDAFD 23256 K 10-00
ASSEMBLY DRAWING

SCALE 1 = 4
DRAWN PCF
DATE 1/10/13
CHK:

ASSEMBLY NO.
DRAWING NO. C-35314