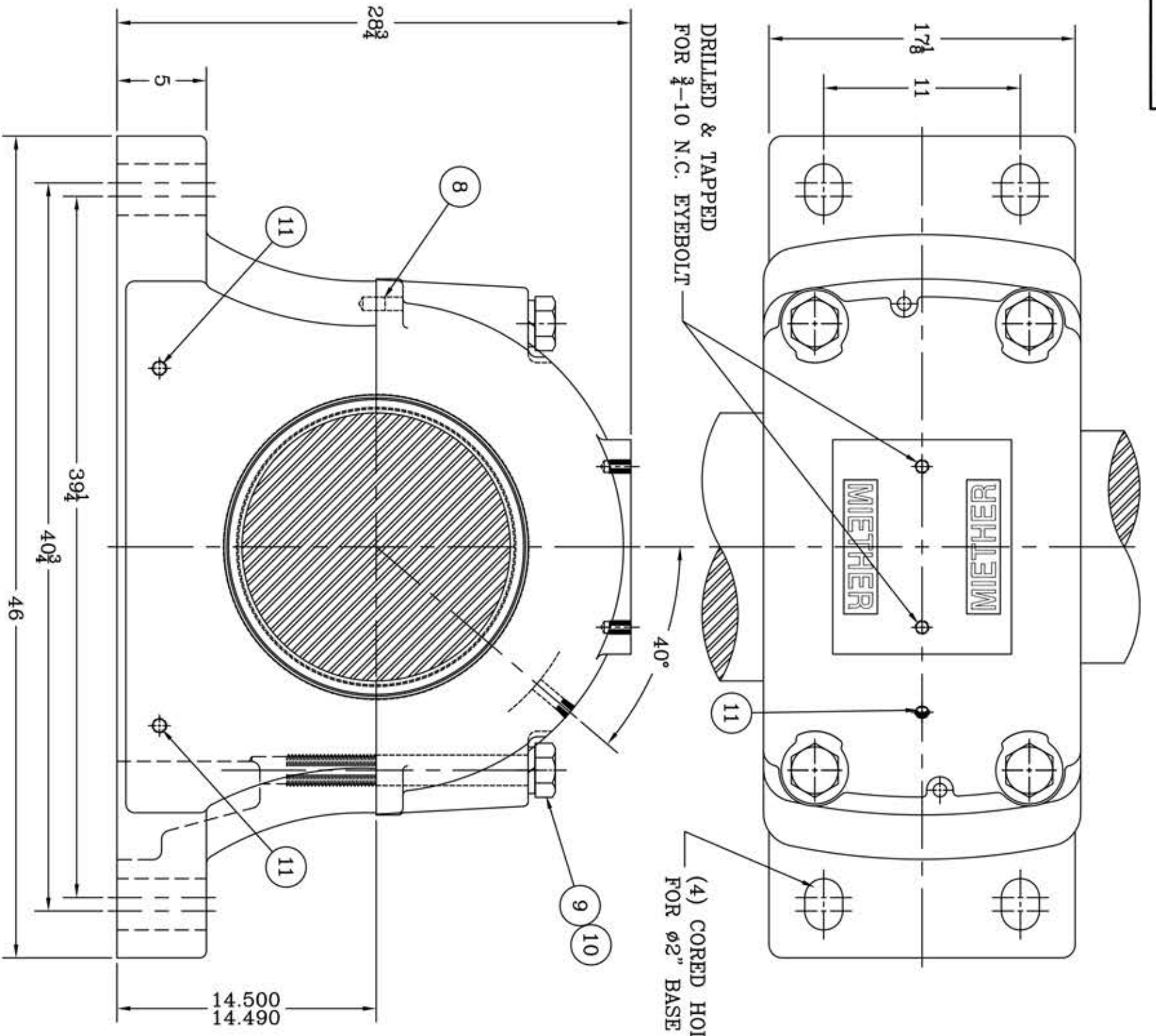
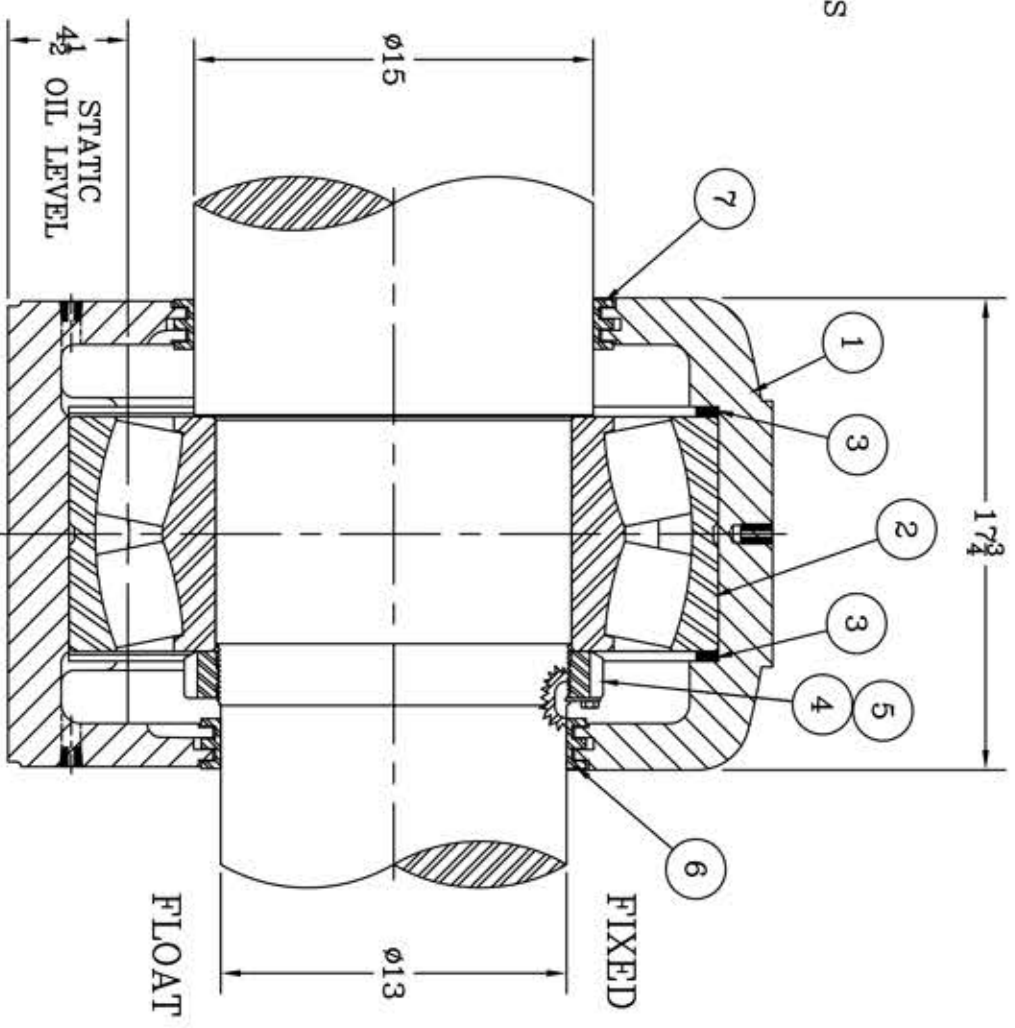


This drawing is the sole property of Miether Bearing Products and contains confidential and proprietary information. It is being provided to you for your use and may not be disclosed to any third party or used for any other purpose without Miether's prior written consent. The [materials] must be returned to the Company upon its demand. Your acceptance of these materials constitutes your acceptance of the foregoing terms.

C-35320



ITEM	DESCRIPTION	DETAIL	REQUIRED
1	HOUSING SDAFD 3268 15x13 C-		1 1
2	SPHERICAL ROLLER BEARING 23268		1 1
3	STABILIZING RING AB978	A-11459	2 0
4	LOCKNUT N-068	B-10053	1 1
5	LOCKPLATE P-68	A-10147	1 1
6	TRIPLE SEAL RING ER-846	A-11637	1 1
7	TRIPLE SEAL RING ER-847	A-16554	1 1
8	DOWEL	Ø 3/4 x 1 1/4 LONG	2 2
9	CAP BOLT HEX. HEAD GR.5	1 1/4 - 5 NC x 13" LONG	4 4
10	LOCKWASHER	1 1/4 SPLIT MED.	4 4
11	PIPE PLUG	1/2 - 14 NPT	5 5



HOUSING MATERIAL - DUCTILE IRON
ASTM A536 GR 65-45-12

REVISIONS

SYMBOL	DESCRIPTION
✓	16
✓	32
✓	63
✓	125
✓	250
✓	500
✓	1000

TOLERANCE: UNLESS OTHERWISE SPECIFIED
FRACTIONS ± 1/32" ANGLES ± 0° 30'
DECIMALS ± .005" WELD ± 1/16"
CASTING ± 1/16"

A.I.S.I. STANDARD FINISHES

AN ALCO INDUSTRIES COMPANY
BEARING PRODUCTS
ODESSA, TX. USA

SDAFD 23268 15-00 x 13-00
ASSEMBLY DRAWING

SCALE 1 = 5
DRAWN PCF
DATE 1/10/13
CHK:

ASSEMBLY NO.
DRAWING NO.
C-35320