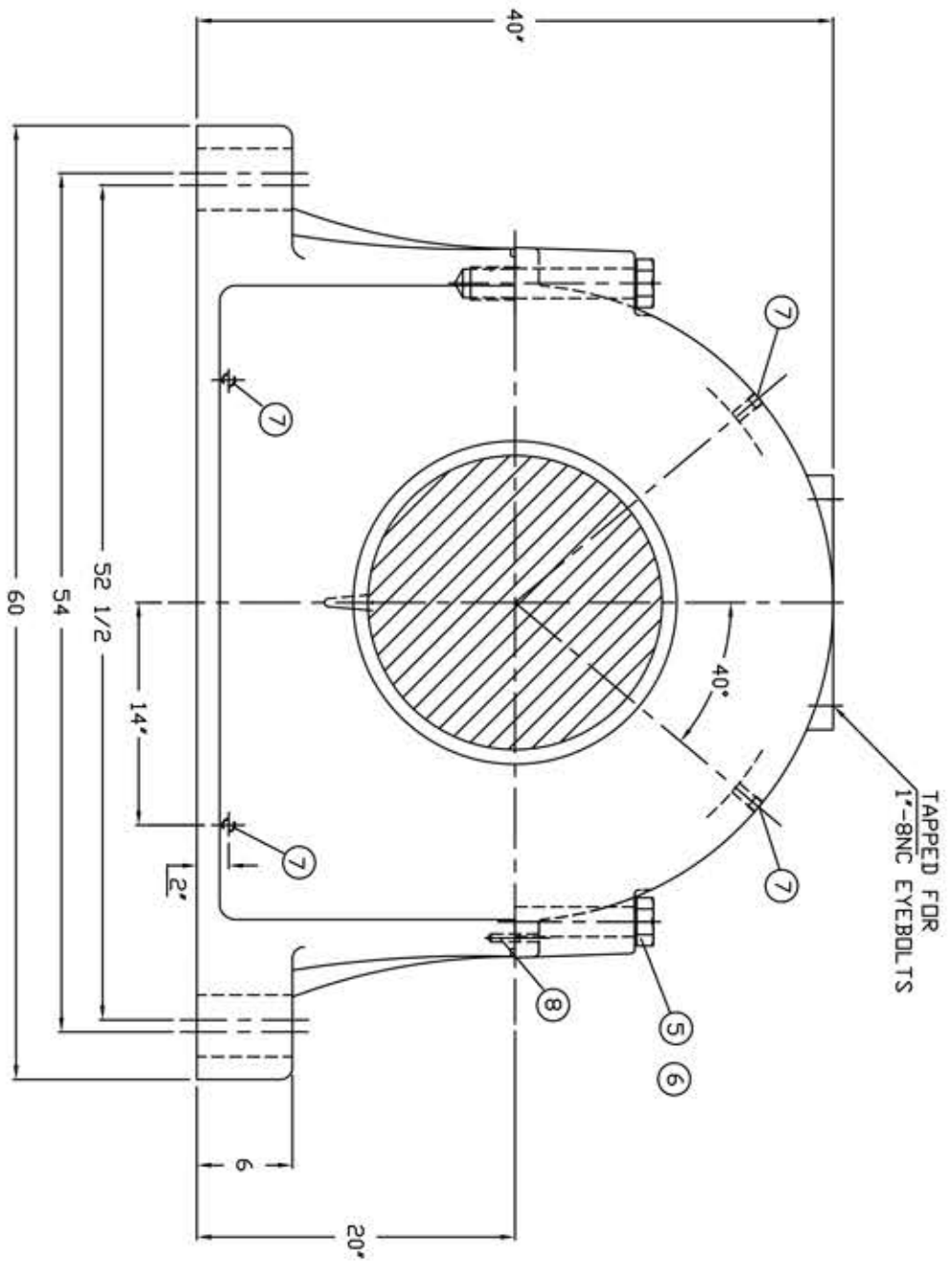
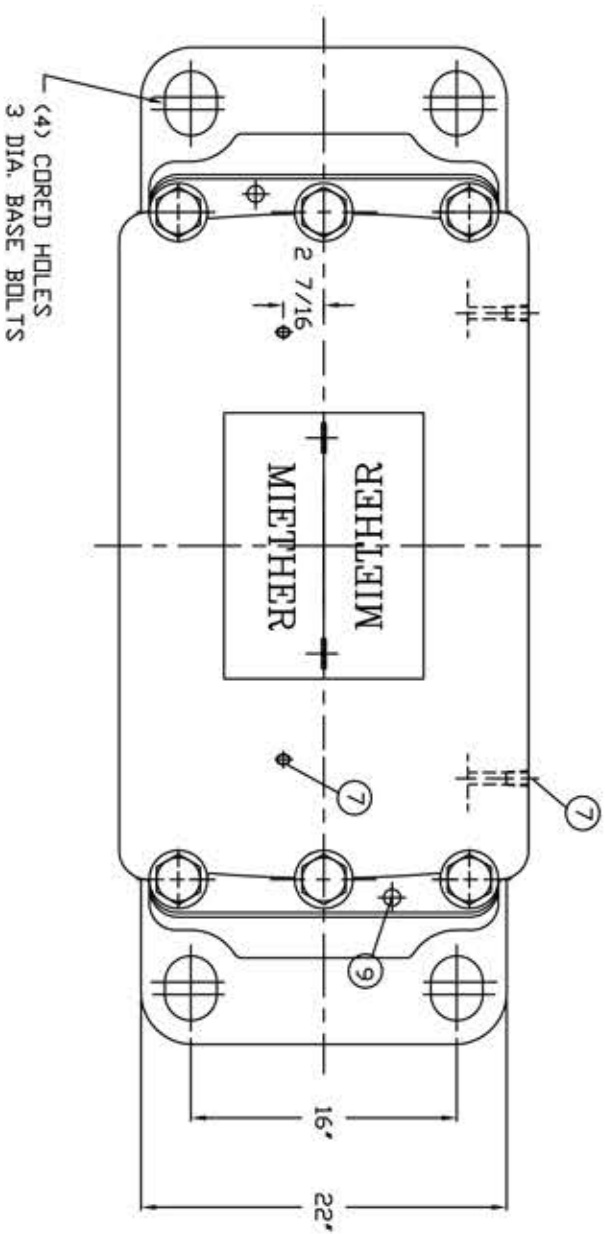
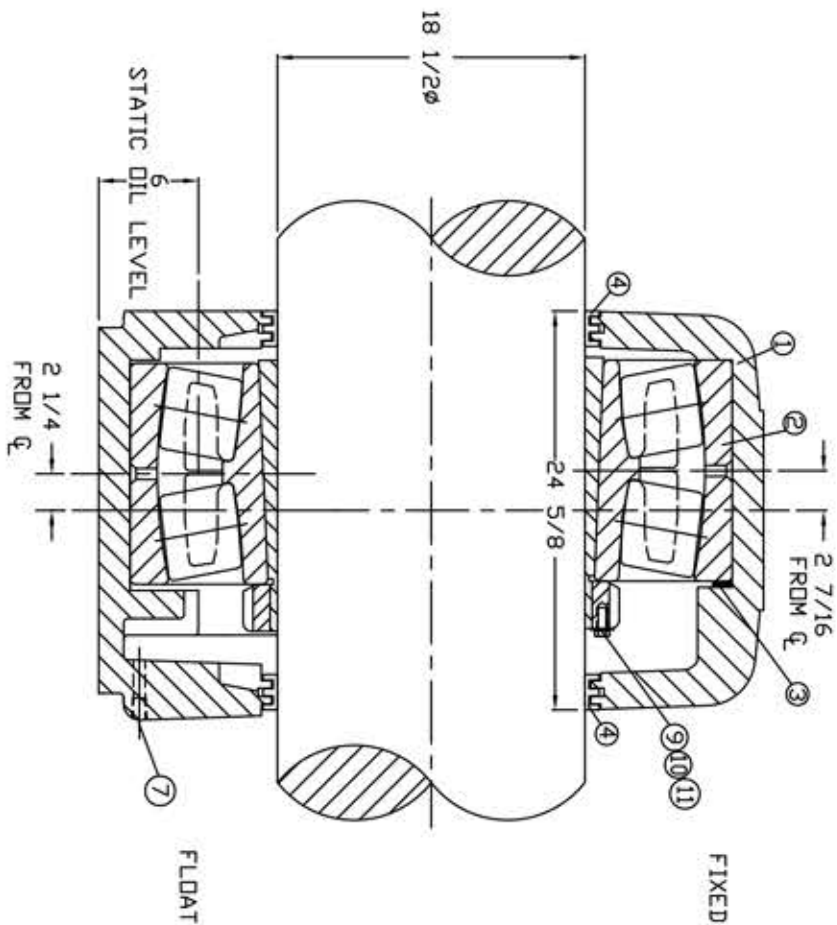


This drawing is the sole property of Miether Bearing Products and contains confidential and proprietary information. It is being provided to you for your use and may not be disclosed to any third party or used for any other purpose without Miether's prior written consent. The [materials] must be returned to the Company upon its demand. Your acceptance of these materials constitutes your acceptance of the foregoing terms.

C-35324



ITEM	DESCRIPTION	DETAIL	REQ
1	HOUSING SDAFD 32/500 K 18-08	C-	1
2	SPHERICAL ROLLER BEARING	232/500 K	1
3	STABILIZING RING SR-21816	A-21816	1
4	SEAL RING ER-978	A-19614	2
5	HX. HD CAP BOLT GR-5	1 3/4-5 NC X 11' LG.	6
6	LOCKWASHER	1 3/4 SPLIT MED	6
7	PIPE PLUG	1/2 NPT	4
8	DOWEL PIN	1' X 2' LG.	2
9	SLEEVE S 32/500 18-08	B-21817	1
10	LOCKNUT N-500	B-13737	1
11	LOCKWASHER P-500	A-10305	1
12			



HOUSING MATERIAL - DUCTILE IRON
ASTM A536 GR 65-45-12

REVISIONS	
SYMBOL	DESCRIPTION
✓	
✓	
✓	
✓	
✓	
✓	
✓	
✓	
✓	

TOLERANCE: UNLESS OTHERWISE SPECIFIED
 FRACTIONS $\pm 1/32"$ ANGLES $\pm 0^\circ 30'$
 DECIMALS $\pm .005"$ WELD $\pm 1/16"$
 CASTING $\pm 1/16"$

A.I.S.I. STANDARD FINISHES
 MICRO-INCH VALUE: 16, 32, 63, 125, 250, 500, 1000

AN ALCO INDUSTRIES COMPANY
 BEARING PRODUCTS
 ODESSA, TX, USA

SDAFD 232/500 K 18-08
 ASSEMBLY DRAWING
 SCALE 1 = 8
 DRAWN PCF
 DATE 1/10/13
 ASSEMBLY NO.
 DRAWING NO.
 C-35324