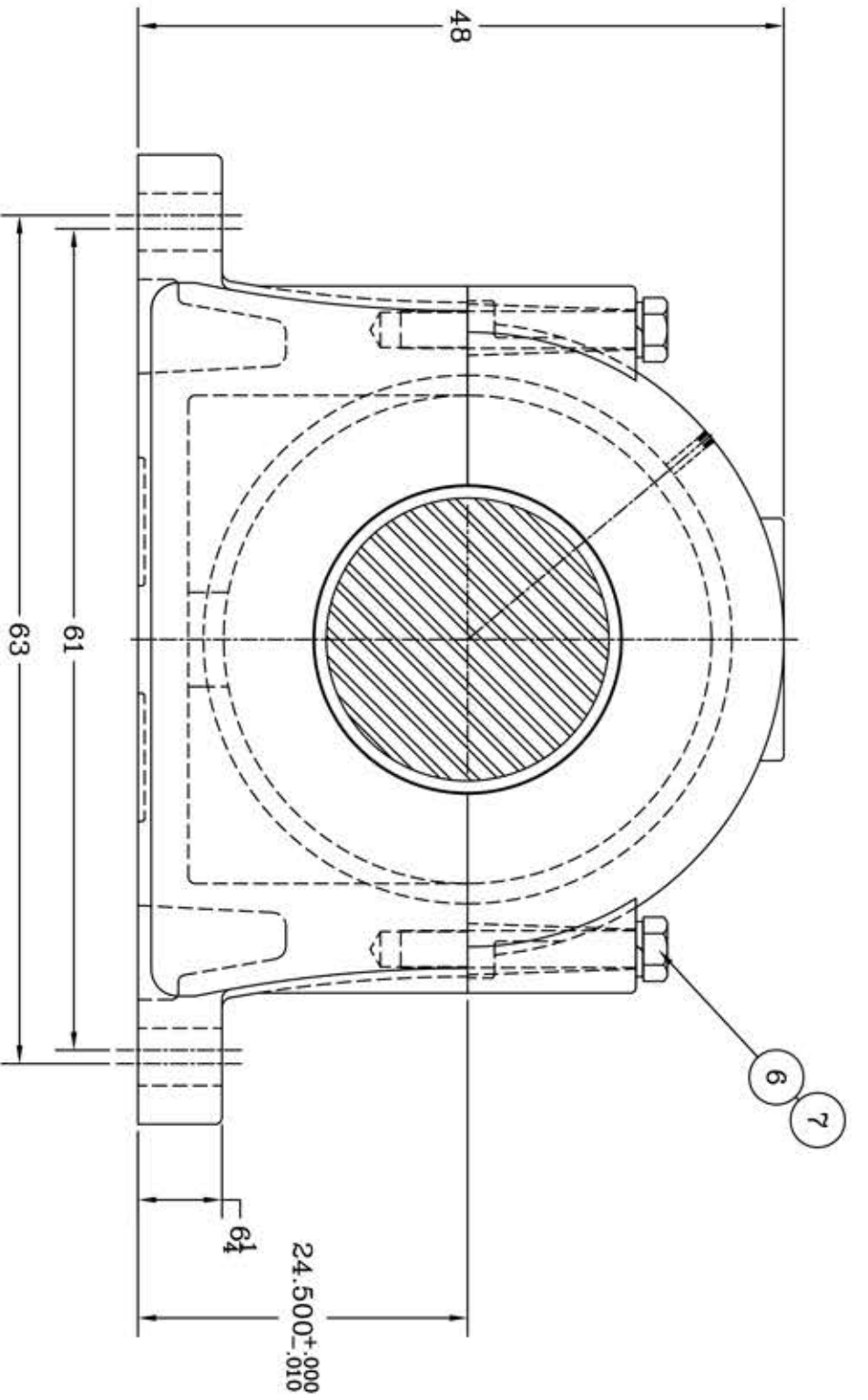
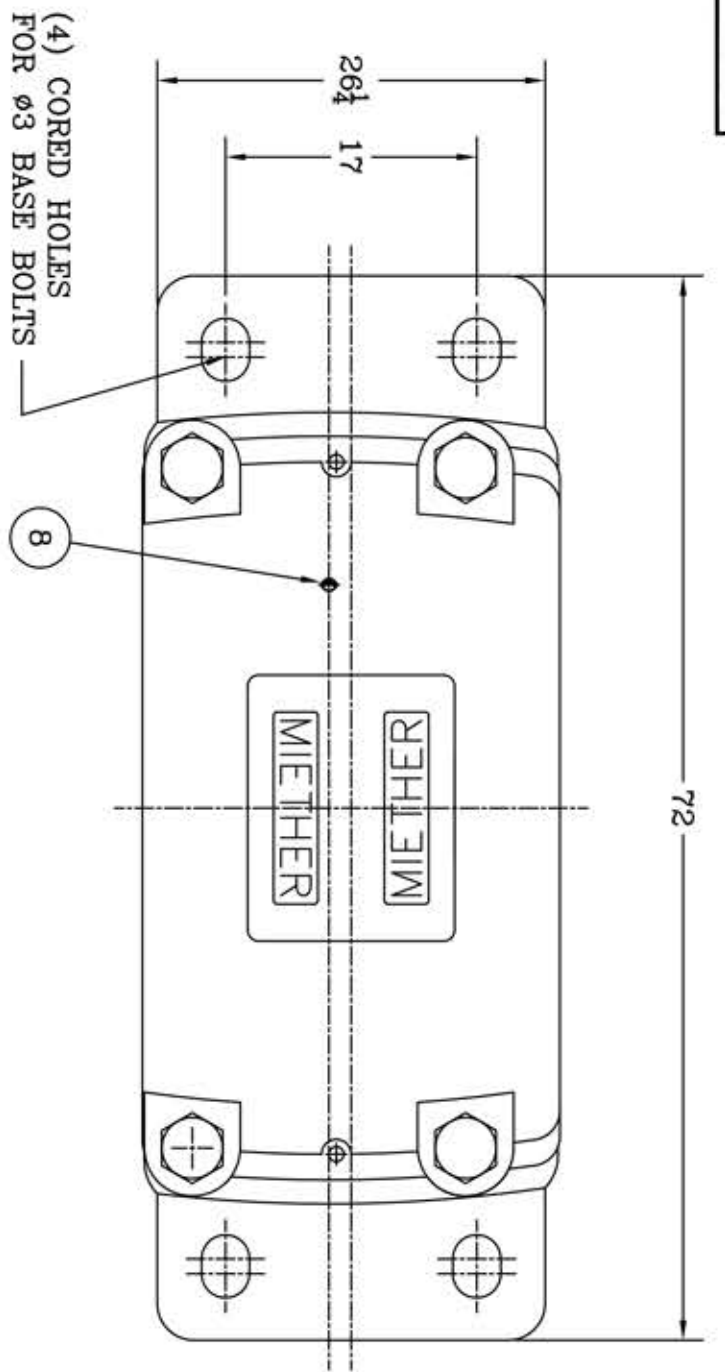


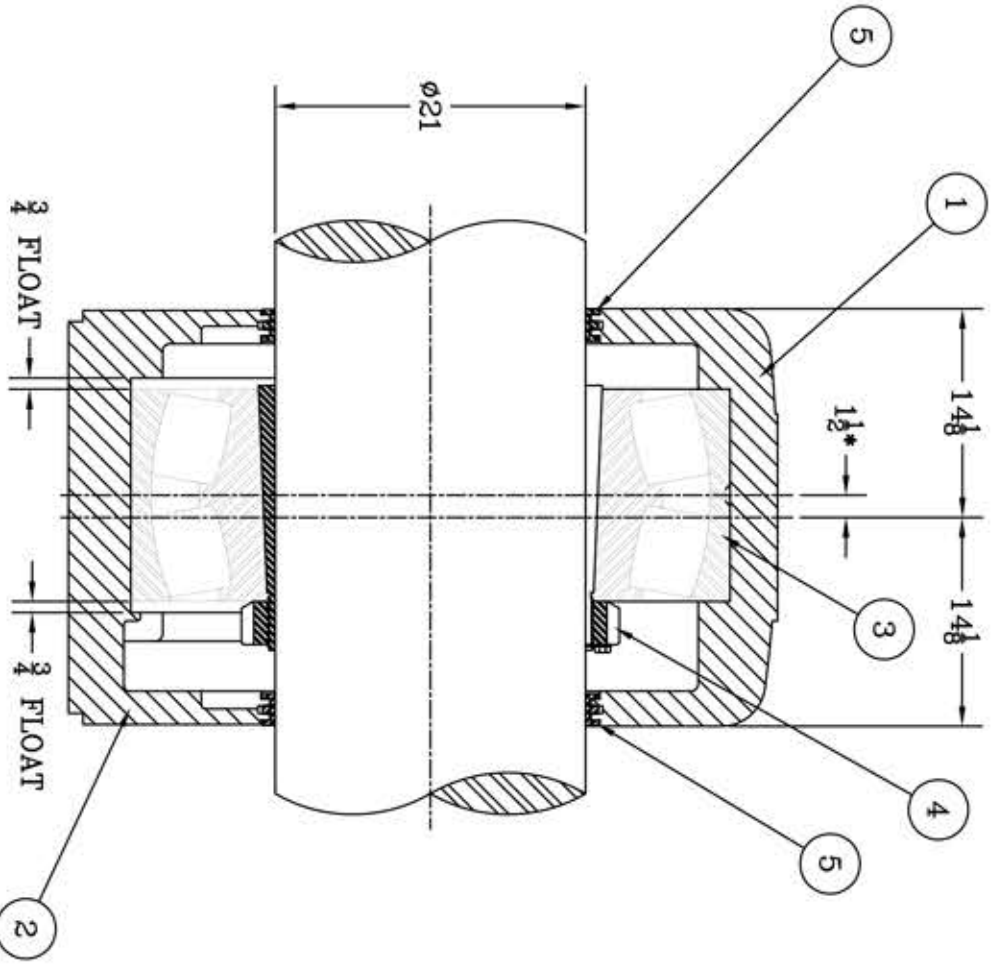
This drawing is the sole property of Miether Bearing Products and contains confidential and proprietary information. It is being provided to you for your use and may not be disclosed to any third party or used for any other purpose without Miether's prior written consent. The [materials] must be returned to the Company upon its demand. Your acceptance of these materials constitutes your acceptance of the foregoing terms.

C-35325



ITEM	DESCRIPTION	DETAIL	REQUIRED QTY
1	HOUSING SDAFD 32/560K X 21	C-35325	1 0
2	HOUSING SDAF 32/560 K X 21 FL	C-34651	0 1
3	SPHERICAL ROLLER BEARING	232/560K	1 1
4	ADAPTER SNP 32/560 21-00	B-34652	1 1
5	TRIPLE SEAL RING ER-34644	A-34644	2 2
6	CAP BOLT HEX. HEAD GR.5	2 3/4-4 NC X 18" LONG	4 4
7	LOCKWASHER	2 3/4 SPLIT MED.	4 4
8	PIPE PLUG	1/2-14 NPT	1 1
9			
10			
11			

* BEARING CENTER IS OFFSET 1 1/2 FROM HOUSING CENTER AS SHOWN



HOUSING MATERIAL - DUCTILE IRON
ASTM A536 GR 65-45-12

REVISIONS

SYMBOL	DATE	DESCRIPTION
✓	18	
∇	32	
∇	63	
∇	125	
∇	250	
∇	500	
∇	1000	

TOLERANCE: UNLESS OTHERWISE SPECIFIED
FRACTIONS ± 1/32" ANGLES ± 0° 30'
DECIMALS ± .005 WELD ± 1/16"
CASTING ± 1/16"

A.I.S.I. STANDARD FINISHES



SDAFD 232/560K 21-00	ASSEMBLY NO.
ASSEMBLY DRAWING	
SCALE 1 = 9	
DRAWN PCF	
DATE 1/10/13	DRAWING NO.
CHK:	C-35325