



SAF Complete Pillow Block Assembly (see below complete pillow block part number)

S1 Shaft Size	S1 Shaft Size	2 Bolt Base Housing	4 Bolt Base Housing	Spherical Roller Bearing (Nachi)	Labyrinth Seal	Stabilizer Ring	Adapter Assembly	2 Bolt Base Complete PB Assembly Part Number	4 Bolt Base Complete PB Assembly Part Number
1-5/8"	1.625"	SAF510		22210 EXQW33 KC3	LER 19	SR10-8	SNW 10 X 1-5/8	SAF22510 X 1-5/8	
1-11/16"	1.6875"				LER 20		SNW 10 X 1-11/16	SAF22510	
1-3/4"	1.75"				LER 21		SNW 10 X 1-3/4	SAF22510 X 1-3/4	
1-7/8"	1.875"	SAF511		22211 EXQW33 KC3	LER 23	SR11-0	SNW 11 X 1-7/8	SAF22511 X 1-7/8	
1-15/16"	1.9375"				LER 24		SNW 11 X 1-15/16	SAF22511	
2"	2.0"				LER 25		SNW 11 X 2	SAF22511 X 2	
2-1/8"	2.125"	SAF513		22213 EXQW33 KC3	LER 28	SR13-0	SNW 13 X 2-1/8	SAF22513 X 2-1/8	
2-3/16"	2.1875"				LER 29		SNW 13 X 2-3/16	SAF22513	
2-1/4"	2.25"				LER 30		SNW 13 X 2-1/4	SAF22513 X 2-1/4	
2-3/8"	2.375"	SAF515	FSAF515	22215 EXQW33 KC3	LER 36	SR15-0	SNW 15 X 2-3/8	SAF22515 X 2-3/8	FSAF22515 X 2-3/8
2-7/16"	2.4375"				LER 37		SNW 15 X 2-7/16	SAF22515	FSAF22515
2-1/2"	2.5"				LER 38		SNW 15 X 2-1/2	SAF22515 X 2-1/2	FSAF22515 X 2-1/2
2-5/8"	2.625"	SAF516	FSAF516	22216 EXQW33 KC3	LER 43	SR16-13	SNW 16 X 2-5/8	SAF22516 X 2-5/8	FSAF22516 X 2-5/8
2-11/16"	2.6875"				LER 44		SNW 16 X 2-11/16	SAF22516	FSAF22516
2-3/4"	2.75"				LER 45		SNW 16 X 2-3/4	SAF22516 X 2-3/4	FSAF22516 X 2-3/4
2-13/16"	2.8125"	SAF517	FSAF517	22217 EXQW33 KC3	LER 51	SR17-14	SNW 17 X 2-13/16	SAF22517 X 2-13/16	FSAF22517 X 2-13/16
2-7/8"	2.875"				LER 52		SNW 17 X 2-7/8	SAF22517 X 2-7/8	FSAF22517 X 2-7/8
2-15/16"	2.9375"				LER 53		SNW 17 X 2-15/16	SAF22517	FSAF22517
3"	3.0"	SAF518	FSAF518	22218 EXQW33 KC3	LER 54	SR18-15	SNW 17 X 3	SAF22517 X 3	FSAF22517 X 3
3-1/16"	3.0625"				LER 67		SNW 18 X 3-1/16	SAF22518 X 3-1/16	FSAF22518 X 3-1/16
3-1/8"	3.125"				LER 68		SNW 18 X 3-1/8	SAF22518 X 3-1/8	FSAF22518 X 3-1/8
3-3/16"	3.1875"	SAF520	FSAF520	22220 EXQW33 KC3	LER 69	SR20-17	SNW 18 X 3-3/16	SAF22518	FSAF22518
3-1/4"	3.25"				LER 70		SNW 18 X 3-1/4	SAF22518 X 3-1/4	FSAF22518 X 3-1/4
3-3/8"	3.375"				LER 101		SNW 20 X 3-3/8	SAF22520 X 3-3/8	FSAF22520 X 3-3/8
3-7/16"	3.4375"	SAF522		22222 EXQW33 KC3	LER 102	SR22-19	SNW 20 X 3-7/16	SAF22520	FSAF22520
3-1/2"	3.5"				LER 103		SNW 20 X 3-1/2	SAF22520 X 3-1/2	FSAF22520 X 3-1/2
3-13/16"	3.8125"				LER 107		SNW 22 X 3-13/16		SAF22522 X 3-13/16
3-7/8"	3.875"	SAF522		22222 EXQW33 KC3	LER 108	SR22-19	SNW 22 X 3-7/8		SAF22522 X 3-7/8
3-15/16"	3.9375"				LER 109		SNW 22 X 3-15/16		SAF22522
4"	4.0"				LER 110		SNW 22 X 4		SAF22522 X 4

* Standard Shaft Sizes are in Bold. Please specify shaft sizes for non-standard Assembly Kits as shown above.

* Complete Assembly Kit Part Numbers include the following: Housing, Spherical Roller Bearing, Labyrinth Seals (QTY 2), Stabilizer Ring, & Adapter Assembly (SNW)

* Stabilizer rings are utilized for fixed units (FX). **DO NOT install stabilizer rings for float units (FL).**

REV C

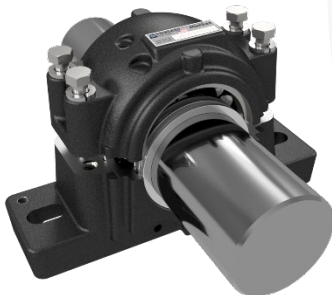
S1 Shaft Size	S1 Shaft Size	4 Bolt Base Housing	Spherical Roller Bearing (Nachi)	Labyrinth Seal	Stabilizer Ring	Adapter Assembly	4 Bolt Base Complete PB Assembly Part Number
4-1/8"	4.125"	SAF524	22224 EXQW33 KC3	LER 112	SR24-20	SNW 24 X 4-1/8	SAF22524 X 4-1/8
4-3/16"	4.1875"			LER 113		SNW 24 X 4-3/16	SAF22524
4-1/4"	4.25"			LER 114		SNW 24 X 4-1/4	SAF22524 X 4-1/4
4-5/16"	4.3125"	SAF526	22226 EXQW33 KC3	LER 115	SR26-0	SNW 26 X 4-5/16	SAF22526 X 4-5/16
4-3/8"	4.375"			LER 116		SNW 26 X 4-3/8	SAF22526 X 4-3/8
4-7/16"	4.4375"			LER 117		SNW 26 X 4-7/16	SAF22526
4-1/2"	4.5"			LER 118		SNW 26 X 4-1/2	SAF22526 X 4-1/2
4-13/16"	4.8125"	SAF528	22228 EXQW33 KC3	LER 120	SR28-0	SNW 28 X 4-13/16	SAF22528 X 4-13/16
4-7/8"	4.875"			LER 121		SNW 28 X 4-7/8	SAF22528 X 4-7/8
4-15/16"	4.9375"			LER 122		SNW 28 X 4-15/16	SAF22528
5"	5.0"			LER 123		SNW 28 X 5	SAF22528 X 5
5-1/8"	5.125"	SAF530	22230 EXQW33 KC3	LER 124	SR30-0	SNW 30 X 5-1/8	SAF22530 X 5-1/8
5-3/16"	5.1875"			LER 125		SNW 30 X 5-3/16	SAF22530
5-1/4"	5.25"			LER 126		SNW 30 X 5-1/4	SAF22530 X 5-1/4
5-3/8"	5.375"	SAF532	22232 EW33 KC3	LER 129	SR32-0	SNW 32 X 5-3/8	SAF22532 X 5-3/8
5-7/16"	5.4375"			LER 130		SNW 32 X 5-7/16	SAF22532
5-1/2"	5.5"			LER 131		SNW 32 X 5-1/2	SAF22532 X 5-1/2
5-13/16"	5.8125"	SAF534	22234 EW33 KC3Z	LER 138	SR34-0	SNW 34 X 5-13/16	SAF22534 X 5-13/16
5-7/8"	5.875"			LER 139		SNW 34 X 5-7/8	SAF22534 X 5-7/8
5-15/16"	5.9375"			LER 140		SNW 34 X 5-15/16	SAF22534
6"	6.0"			LER 141		SNW 34 X 6	SAF22534 X 6
6-5/16"	6.3125"	SAF536	22236 EW33 KC3Z	LER 146	SR36-30	SNW 36 X 6-5/16	SAF22536 X 6-5/16
6-3/8"	6.375"			LER 147		SNW 36 X 6-3/8	SAF22536 X 6-3/8
6-7/16"	6.4375"			LER 148		SNW 36 X 6-7/16	SAF22536
6-1/2"	6.5"			LER 149		SNW 36 X 6-1/2	SAF22536 X 6-1/2
6-13/16"	6.8125"	SAF538	22238 EW33 KC3Z	LER 153	SR38-32	SNW 38 X 6-13/16	SAF22538 X 6-13/16
6-7/8"	6.875"			LER 154		SNW 38 X 6-7/8	SAF22538 X 6-7/8
6-15/16"	6.9375"			LER 155		SNW 38 X 6-15/16	SAF22538
7"	7.0"			LER 156		SNW 38 X 7	SAF22538 X 7
7-3/16"	7.1875"	SAF540	22240 EW33 KC3Z	LER 159	SR40-34	SNW 40 X 7-3/16	SAF22540
7-1/4"	7.25"			LER 160		SNW 40 X 7-1/4	SAF22540 X 7-1/4
7-13/16"	7.8125"	SAF544	22244 EW33 KC3Z	LER 165	SR44-38	SNW 44 X 7-13/16	SAF22544 X 7-13/16
7-7/8"	7.875"			LER 166		SNW 44 X 7-7/8	SAF22544 X 7-7/8
7-15/16"	7.9375"			LER 167		SNW 44 X 7-15/16	SAF22544
8"	8.0"			LER 168		SNW 44 X 8	SAF22544 X 8

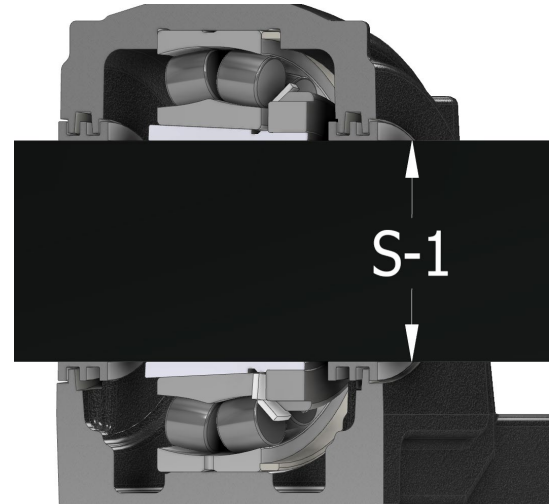
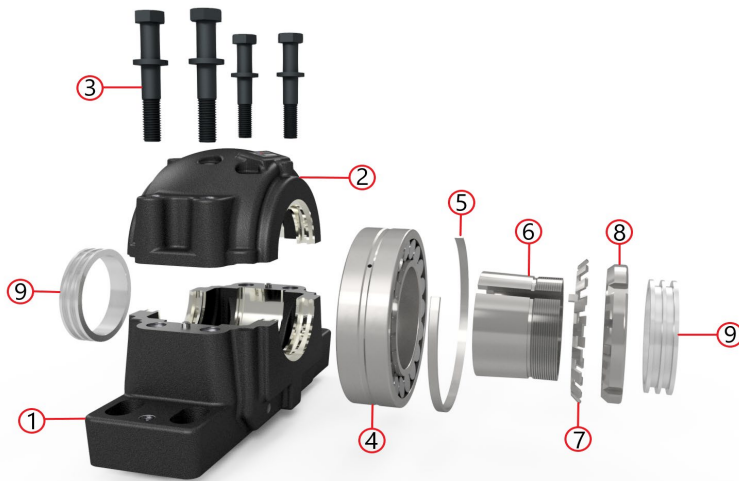
* Standard Shaft Sizes are in Bold. Please specify shaft sizes for non-standard Assembly Kits as shown above.

* Complete Assembly Kit Part Numbers include the following: Housing, Spherical Roller Bearing, Labyrinth Seals (QTY 2), Stabilizer Ring, & Adapter Assembly (SNW)

* Stabilizer rings are utilized for fixed units (FX). **DO NOT install stabilizer rings for float units (FL).**

REV C




Complete Pillow Block Assembly - Adapter Mount:

- 1. Split Pillow Block Base**
- 2. Split Pillow Block Cap**
- 3. Cap Bolts** (Typically two or four)
- 4. Spherical Roller Bearing** (SRB - Tapered Bore)
- 5. Stabilizer Ring** (For fixed configuration, Remove for float configuration)
- 6. Adapter Sleeve** (Part of SNW (Sleeve, Nut, Washer) Assembly)
- 7. Lockwasher** (Part of SNW (Sleeve, Nut, Washer) Assembly)
- 8. Locknut** (Part of SNW (Sleeve, Nut, Washer) Assembly)
- 9. Labyrinth Seals** (LER) For S-1 shaft size

Ordering Information:
Example:

Ordering PN	Assembly Components Included	Shaft Size	Configuration
SAF22522	Housing (SAF522), SRB (22222 EXQW33 KC3), Labyrinth Seals (QTY 2 - LER 109), Stab Ring (SR22-19), Adapter Assembly (SNW 22 X 3-15/16)	3-15/16"	FXOP
SAF22522F	Housing (SAF522), SRB (22222 EXQW33 KC3), Taconite Seal (QTY 2 - TER 109), Stab Ring (SR22-19), Adapter Assembly (SNW 22 X 3-15/16)	3-15/16"	FXOP
SAF22522-3	Housing (SAF522), SRB (22222 EXQW33 KC3), Labyrinth Seals (QTY 1 - LER 109), Stab Ring (SR22-19), Adapter Assembly (SNW 22 X 3-15/16), 1 End Plug (EP13)	3-15/16"	FXCL
SAF22522 X 4	Housing (SAF522), SRB (22222 EXQW33 KC3), Labyrinth Seals (QTY 2 - LER 110), Stab Ring (SR22-19), Adapter Assembly (SNW 22 X 4)	4"	FXOP
SAF22522 X 4 - 3	Housing (SAF522), SRB (22222 EXQW33 KC3), Labyrinth Seals (QTY 1 - LER 110), Stab Ring (SR22-19), Adapter Assembly (SNW 22 X 4), 1 End Plug (EP13)	4"	FXOP

* Standard Shaft Sizes are in Bold. Please specify shaft sizes for non-standard Assembly Kits.

* Assembly Kit Part Numbers include: Housing, Spherical Roller Bearing, Labyrinth Seals (QTY 2), Stabilizer Ring, & Adapter Assembly (SNW)

* Stabilizer rings are utilized for fixed units (FX). **DO NOT install stabilizer rings for float units (FL).**

F	SAF	S	22	522	X 4		-3	F
1	2	3	4	5	6	7	8	9

1. Mounting Bolt Arrangement

F Four bolt base (omit if four bolt is standard)

2. Housing Style

SAF 2 Bolt Pillow Block Housing (4 Bolt when no 2 bolt offered)
 SDAF 4 Bolt Heavy Duty Pillow Block Housing
 SAW Wide Bearing Seat Pillow Block Housing

3. Material Variation

___ Cast Iron (Typically ASTM A48 Class 30)
 S Cast Steel (Typically ASTM A27 Grade 65-35)
 D Cast Ductile Iron (Typically ASTM A536 Grade 65-45-12)
 SS Special Steel Grade (ex. ASTM A148 Grade 80-50)

4. Bearing Assembly

22 Includes applicable Spherical Roller Bearing (222 and 223 Series) & Mounting Accessories
 2 Includes applicable Spherical Roller Bearing (231 and 232 Series) & Mounting Accessories
 23 Includes applicable Spherical Roller Bearing (230 Series) & Mounting Accessories

5. Series & Size

2XX Cylindrical Mount 222XX Series Bearing
 3XX Cylindrical Mount 223XX Series Bearing
 5XX Adapter Mount 222XXK Series Bearing
 6XX Adapter Mount 223XXK Series Bearing
 0XX Adapter Mount 230XXK Series Bearing
 31XX Cylindrical Mount 231XX Series Bearing
 31XXK Adapter Mount 231XXK Series Bearing
 32XX Cylindrical Mount 232XX Series Bearing
 32XXK Adapter Mount 232XXK Series Bearing

6. Shaft Size

S1 or S2 Shaft Size (Omit if Standard Shaft Size) S1 = Straight Shaft Size; S2 = Largest Shaft Size when step shaft

7. Shaft Size

S3 Shaft Size (Omit if S1=S2 or if Standard Shaft Size) S3 = Smallest Shaft Size when step shaft

8. Assembly Configuration

___ Fixed, Open FXOP (Includes Stab Ring / 2 Ring Seals)
 3- Fixed, Closed FXCL (Includes Stab Ring / 1 Ring Seal / 1 End Cover)
 5- Stab Ring/ No Ring seals
 6- Stab Ring/ 1 End Cover/ No Ring seals
 8- Universal - 2 Ring seals / 1 Stab ring / 1 End Cover

9. Seal Configuration

___ Aluminum Labyrinth Seals (Standard Option - LER)
 B Steel Labyrinth Seals
 C Aluminum Labyrinth Seals w/ O-Ring
 D Steel Labyrinth Seals w/ O-Ring
 F Taconite Seals, purgeable, (TER)
 G Taconite Seals w/outboard V-Ring Seal, purgeable, (TERV)
 I Shroud, Bolt-On Protection, purgeable